

Index

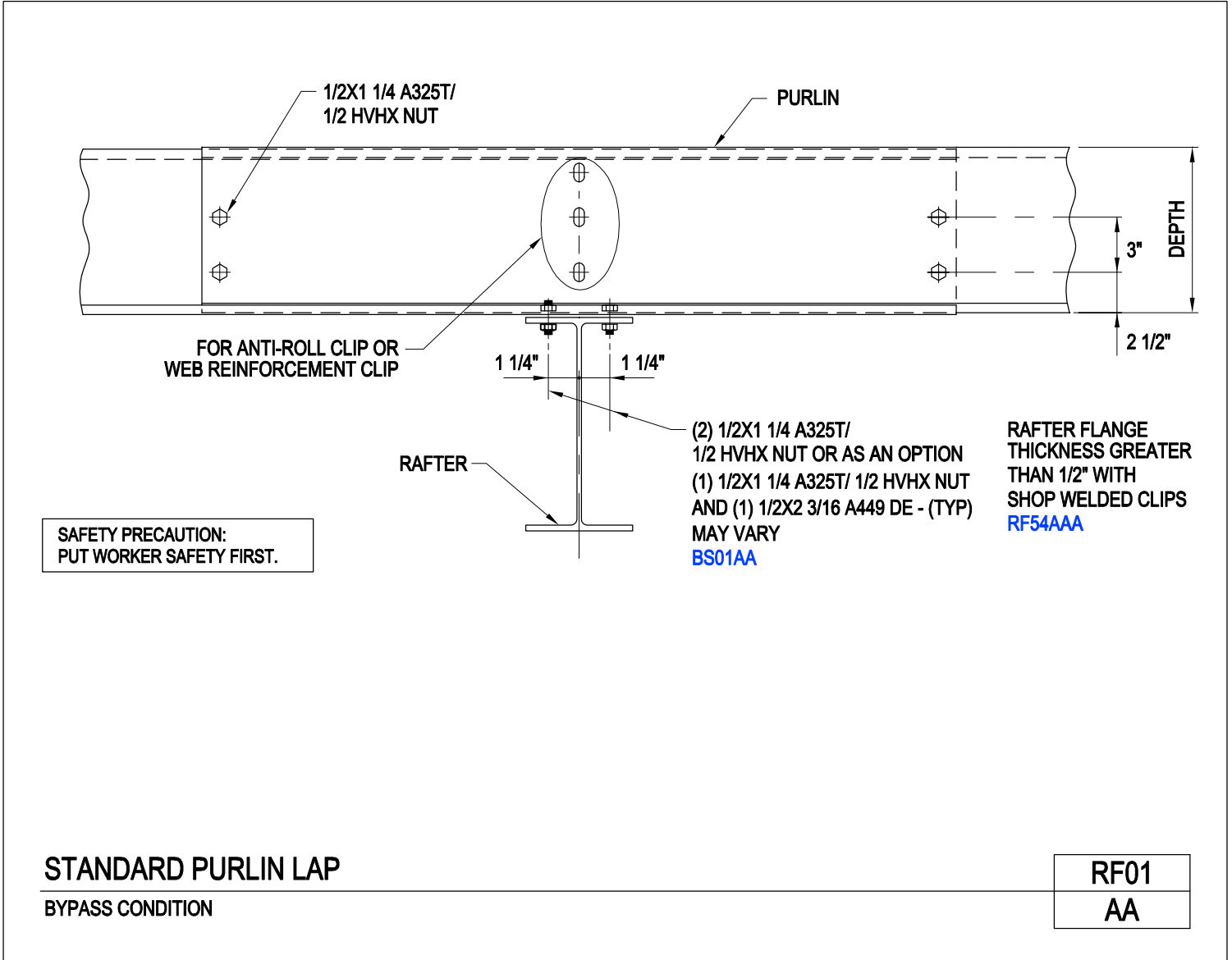
RF01/AA, Standard Purlin Lap, Bypass Condition
RF01A/AA, 6" Pinned Purlin Lap, Pinned Lap Condition
RF03R/AA, Purlin Connection Detail at Endwall Frame, Bypass, Inset, & Flush Condition
RF05/AA, Ridge Bridging Clip Connection Detail
RF09/AA, Purlin to Column Cap Plate, Lowside
RF09A/AA, Purlin to Column Cap Plate, Highside
RF10RA/AA, Optional Purlin to Rafter Connection, Rafter Flange Thickness Less Than or Equal to 1/2"
RF31P/AA, Low/High Side Eave Strut Connection (Flush Girts), at Rafter/Column Flange Widths $\leq 10"$
RF31PA/AA, Low/High Side Eave Strut Connection (Flush Girts), At Rafter/Column Flange Widths $> 10"$, $\leq 14"$
RF31PB/AA, Low Side Eave Strut Connection (Flush Girts), at Rafter/Column Flange Widths $\leq 10"$ w/ Reinforcing Plate
RF31PW/AA, High Side Eave Strut Connection (Flush Girts) at Rafter/Column Flange Widths $\leq 10"$ w/ Reinforcing Plate
RF31PX/AA, Low Side Eave Strut Connection (Flush Girts), at Rafter/Column Flange Widths $> 10"$, $\leq 14"$ w/ Reinforcing Plate
RF31PY/AA, High Side Eave Strut Connection (Flush Girts), at Rafter/Column Flange Widths $> 10"$, $\leq 14"$ w/ Reinforcing Plate
RF31PZ/AA, Eave Strut Connection (Bypass/Flush Girts), Low Side
RF31Q/AA, Low/High Side Eave Strut Connection (Inset Girts), At Rafter/Column Flange Widths $\leq 10"$
RF31QA/AA, Low/High Side Eave Strut Connection (Inset Girts), at Rafter/Column Flange Widths $> 10"$, $\leq 14"$
RF31QB/AA, Low Side Eave Strut Connection (Inset Girts), at Rafter/Column Flange Widths $\leq 10"$ w/ Reinforcing Plate
RF31QW/AA, High Side Eave Strut Connection (Inset Girts), at Rafter/Column Flange Widths $\leq 10"$ w/ Reinforcing Plate
RF31QX/AA, Low Side Eave Strut Connection (Inset Girts), at Rafter/Column Flange Widths $> 10"$, $\leq 14"$ w/ Reinforcing Plate
RF31QY/AA, High Side Eave Strut Connection (Inset Girts), at Rafter/Column Flange Widths $> 10"$, $\leq 14"$ w/ Reinforcing Plate
RF31QZ/AA, Eave Strut Connection (Bypass/Inset), Low Side
RF31R/AA, Low/High Side Eave Strut Connection (Bypass/Girts), All Rafter/Column Flange Widths
RF31RB/AA, Low/High Side Eave Strut Connection (Bypass Girts), All Rafter/Column Flange Widths w/ Reinforcing Plate
RF32P/AA, Low/High Side Eave Strut Connection (Flush Girts), All Rafter
RF32PZ/AA, Eave Strut Connection (Bypass/Flush Girts), Low Side
RF32Q/AA, Low/High Side Eave Strut Connection (Inset Girts), All Rafter/Column Flange Widths
RF32QZ/AA, Eave Strut Connection (Bypass/Inset Girts), Low Side
RF32R/AA, Low/High Side Eave Strut Connection (Bypass Girts), All Rafter/Column Flange Widths
RF50/AA, Anti-Roll Detail Uphill, Rigid Frame Rafter
RF50A/AA, Anti-Roll Detail Downhill, Rigid Frame Rafter
RF51/BA, Anti-Roll Detail, Endwall Rafter Long Span III
RF53/AA, Purlin Web Reinforcement Clip Detail
RF53A/AA, Purlin Web Reinforcement Shop Welded Clip Detail, Rafter Flange Thickness Greater Than 1/2"
RF53A/BA, Purlin Web Reinforcement Shop Welded Clip Detail, Long Span III Panel
RF53/BA, Purlin Web Reinforcement Clip Detail, Long Span III Panel
RF54/AA, Purlin Web Reinforcement Clip Detail

Index

[RF54A/AA, Purlin to Shop Welded Clip, Rafter Flange Thickness Greater than 1/2"](#)

[RF57/AA, Anti-Roll Clip Detail, Purlin Web Reinforcement Clip Required](#)

Standard Purlin Lap
Bypass Condition
RF01/AA

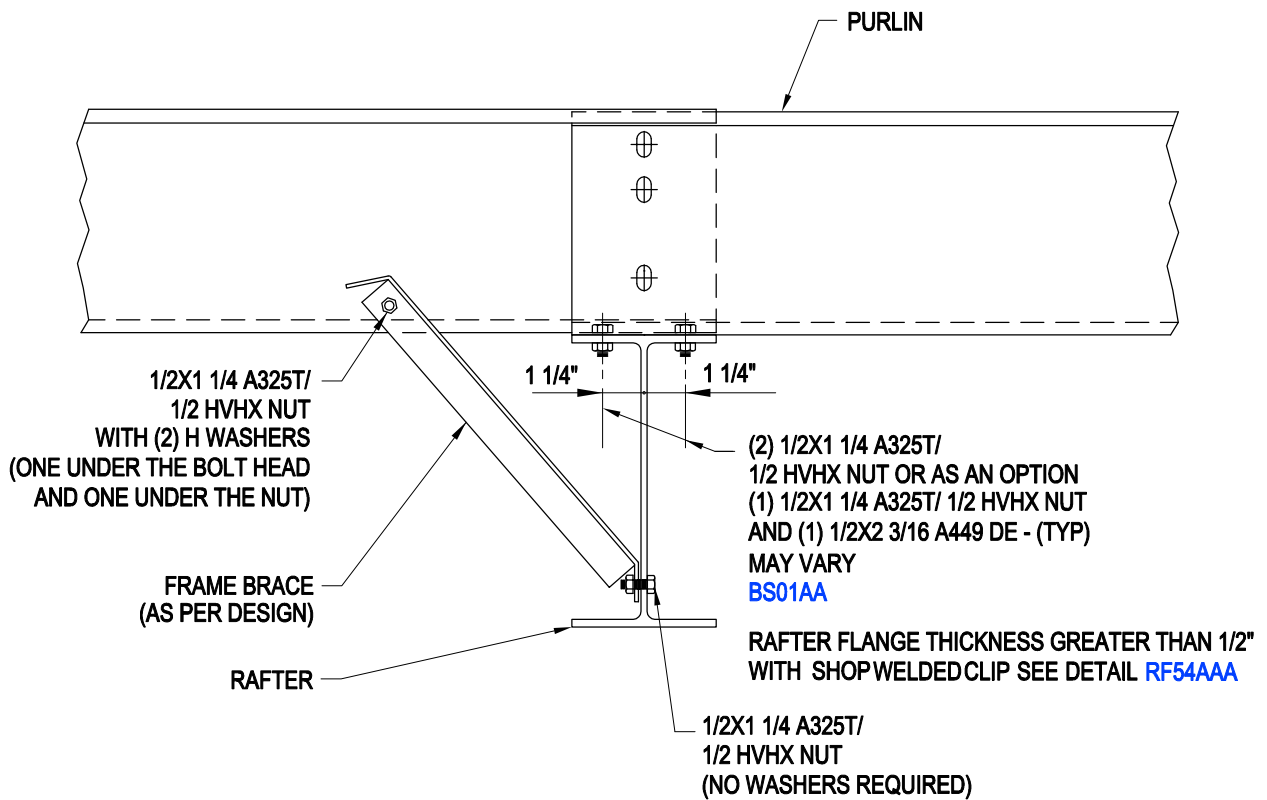


[Download the DWG file by clicking here.](#)

[To Section Index](#)

6" Pinned Purlin Lap
Pinned Lap Condition
RF01A/AA

**SAFETY PRECAUTION:
PUT WORKER SAFETY FIRST.**



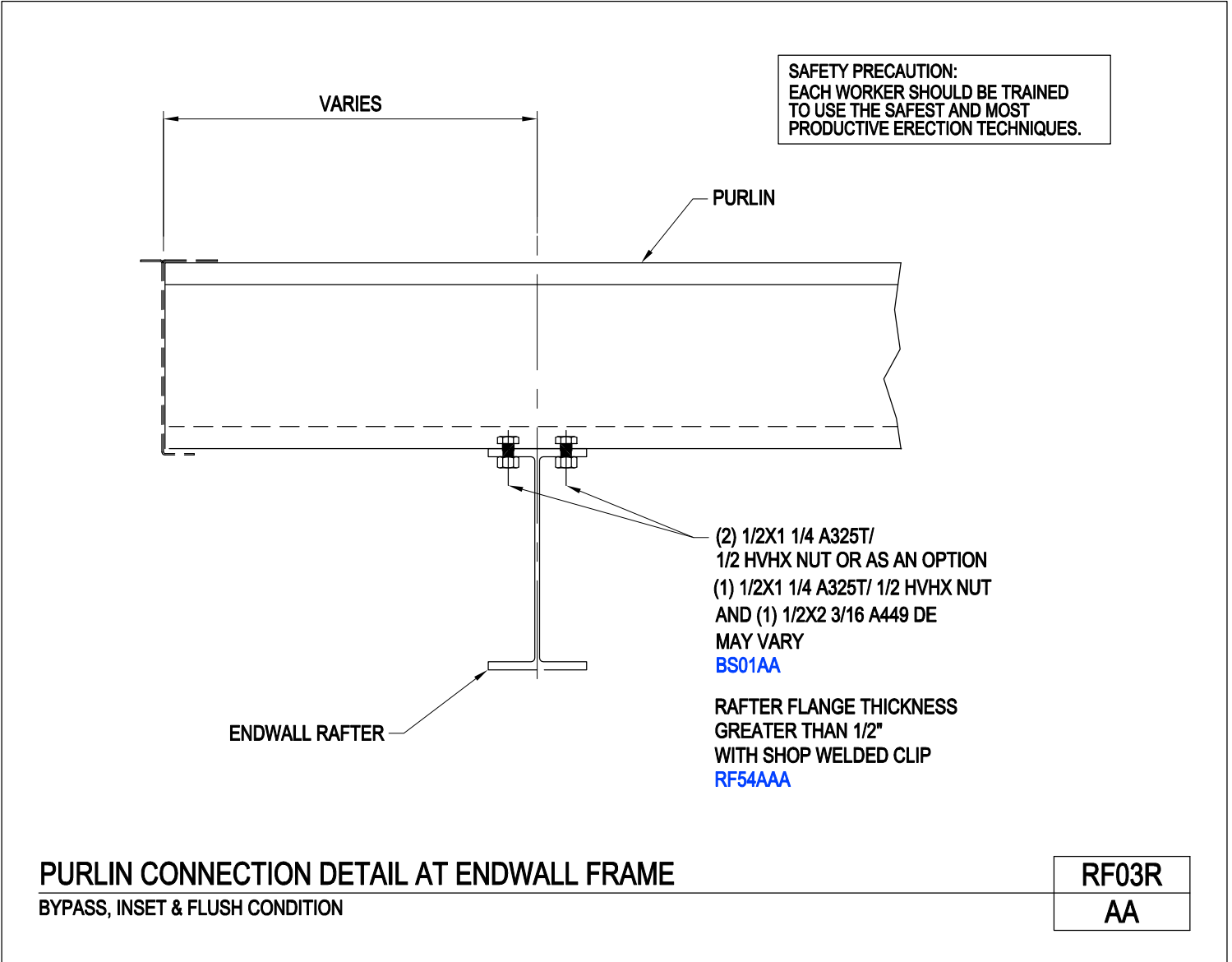
6" PINNED PURLIN LAP
PINNED LAP CONDITION

RF01A
AA

[Download the DWG file by clicking here.](#)

[To Section Index](#)

Purlin Connection Detail at Endwall Frame
Bypass, Inset, & Flush Condition
RF03R/AA



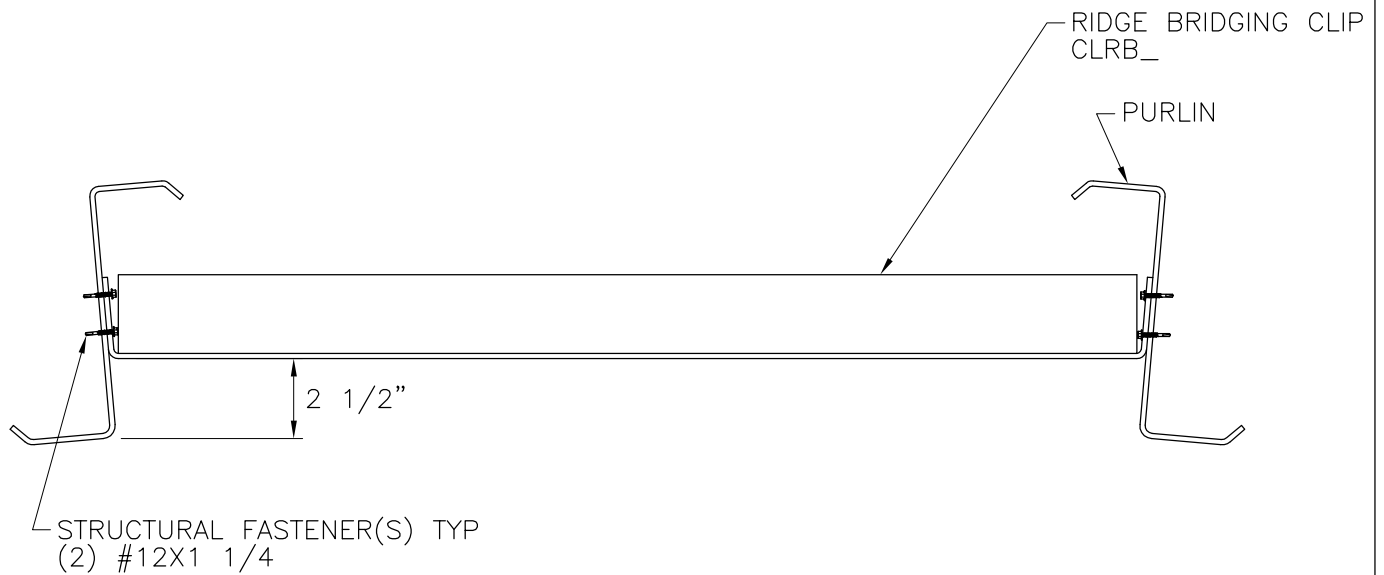
[Download the DWG file by clicking here.](#)

[To Section Index](#)

Ridge Bridging Clip Connection Detail

RF05/AA

SAFETY PRECAUTION:
WORKER PERSONAL PROTECTION EQUIPMENT
SHOULD ALWAYS MEET OSHA STANDARDS.



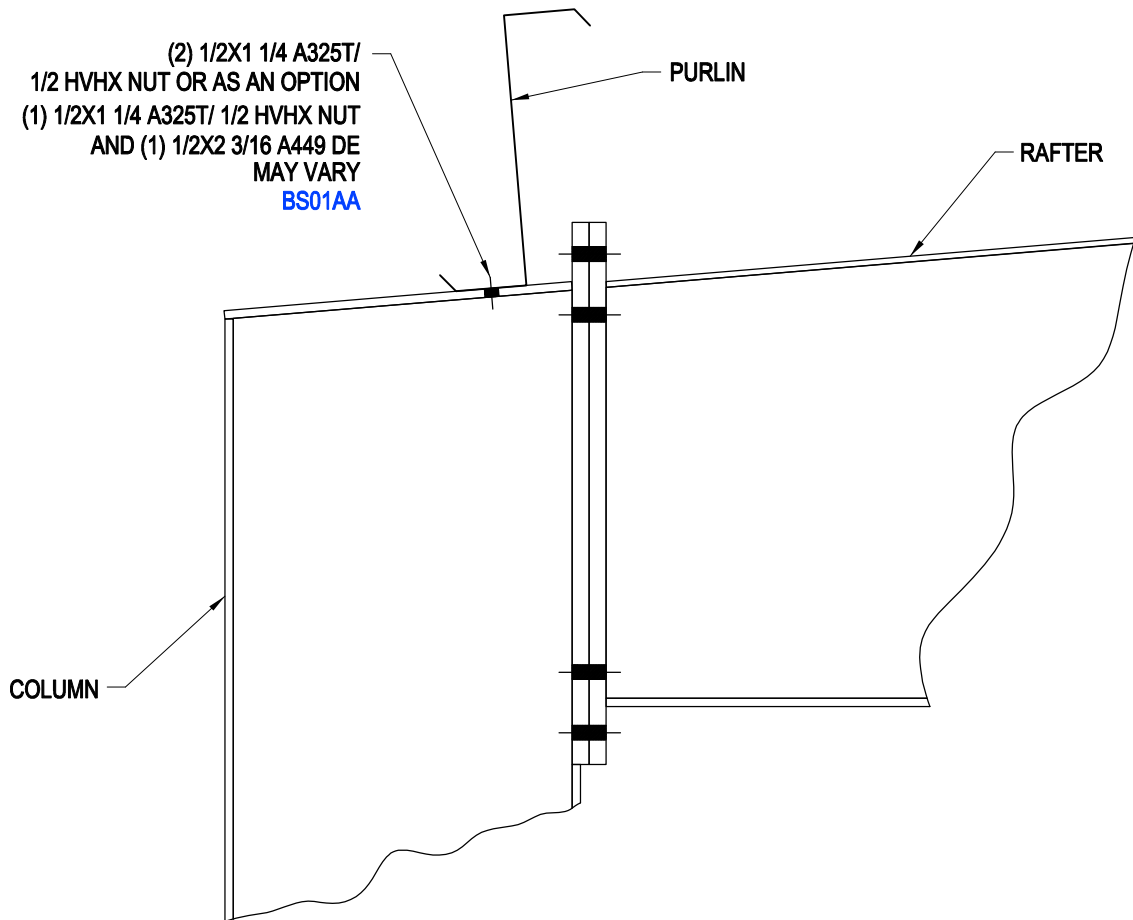
RIDGE BRIDGING CLIP CONNECTION DETAIL

RF05
AA

[Download the DWG file by clicking here.](#)

[To Section Index](#)

Purlin to Column Cap Plate
Lowside
RF09/AA



PURLIN TO COLUMN CAP PLATE

LOWSIDE

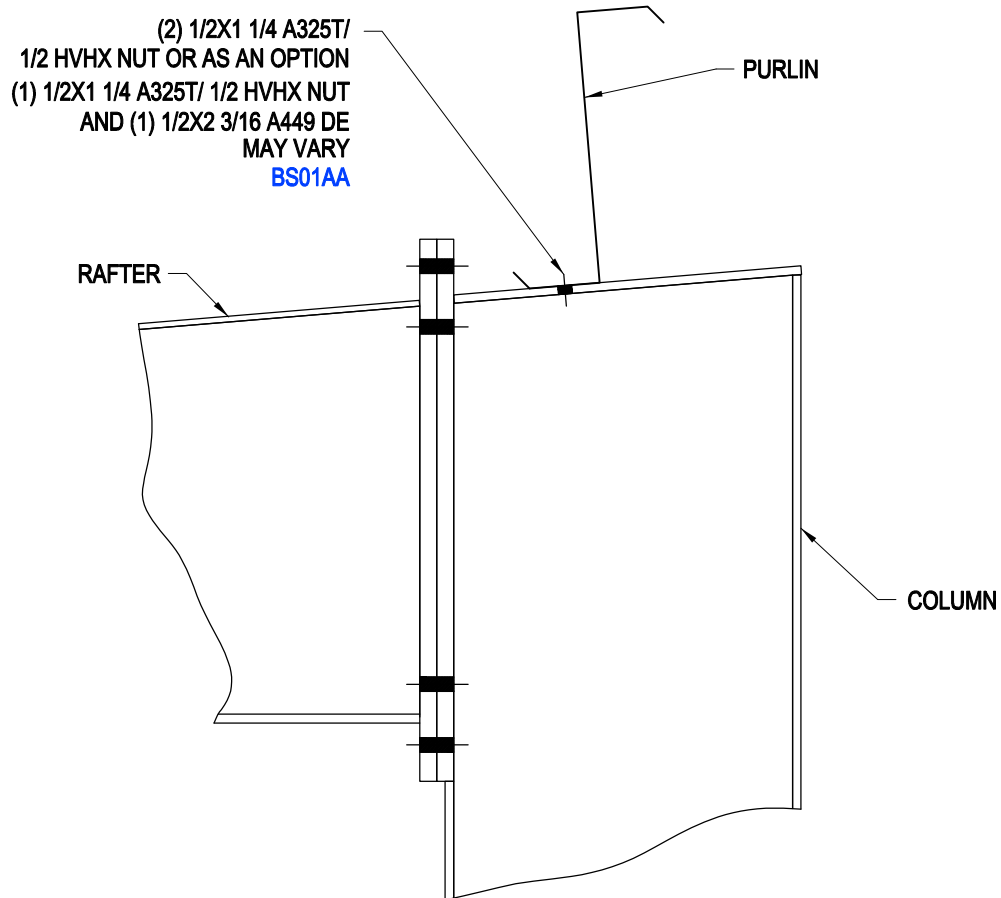
RF09

AA

[Download the DWG file by clicking here.](#)

[To Section Index](#)

Purlin to Column Cap Plate
Highside
RF09A/AA



PURLIN TO COLUMN CAP PLATE

HIGHSIDE

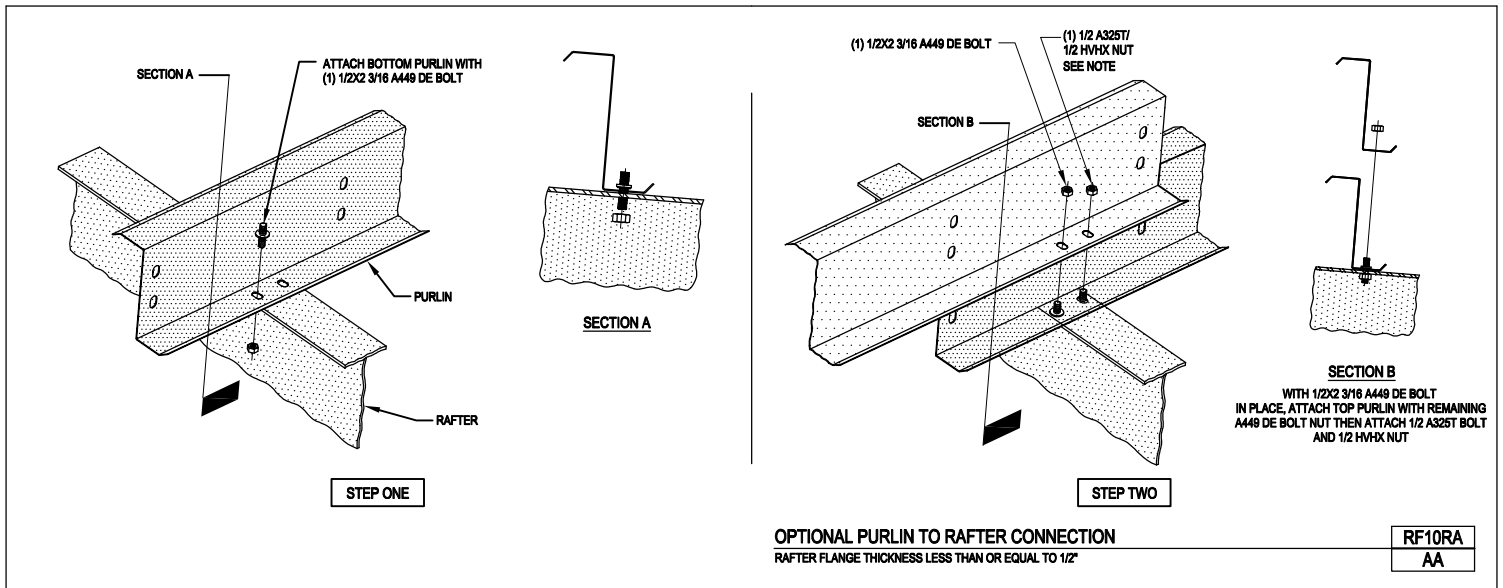
RF09A

AA

[Download the DWG file by clicking here.](#)

[To Section Index](#)

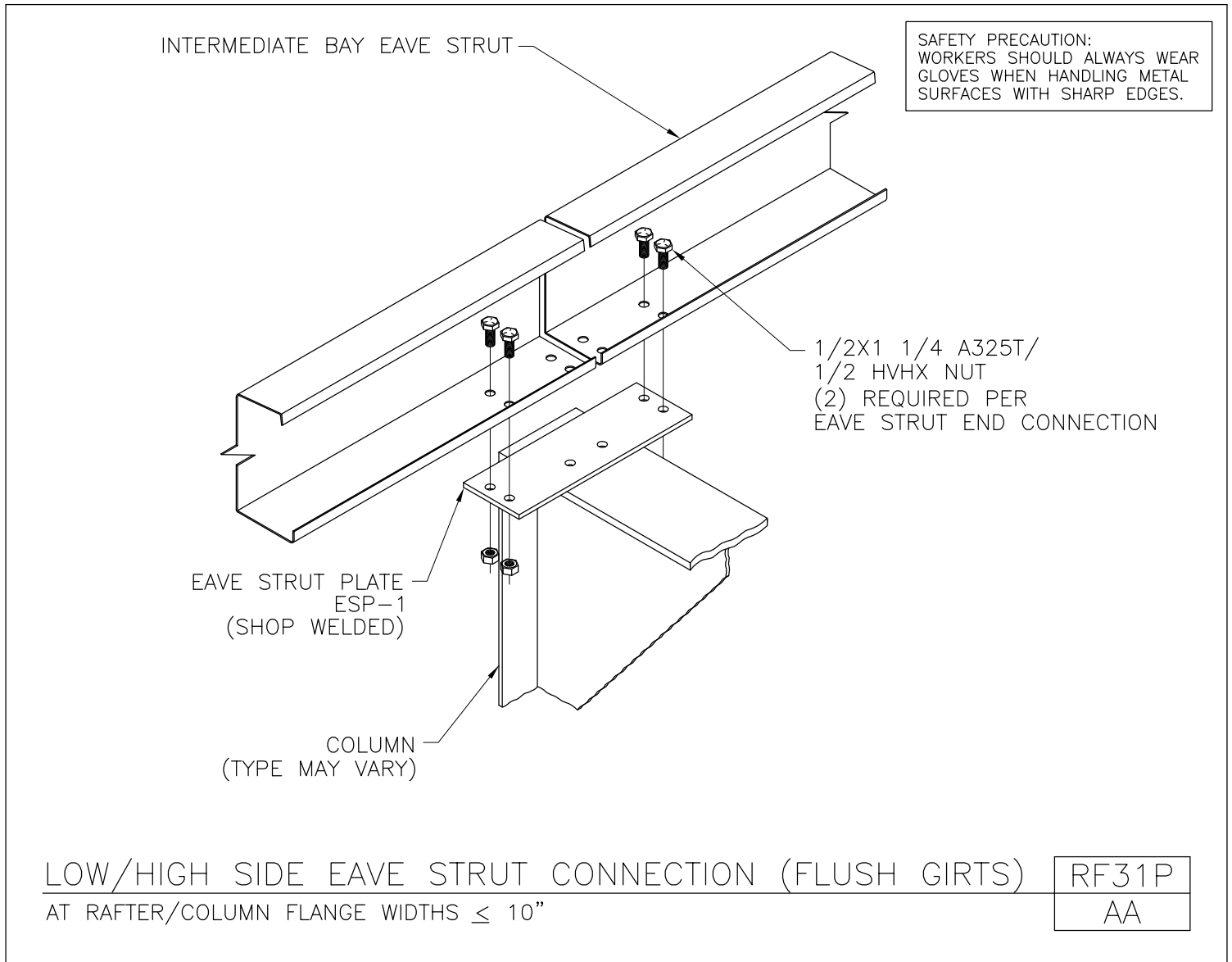
Optional Purlin to Rafter Connection
Rafter Flange Thickness Less Than or Equal to 1/2"
RF10RA/AA



[Download the DWG file by clicking here.](#)

[To Section Index](#)

Low/High Side Eave Strut Connection (Flush Girts)
At Rafter/Column Flange Widths $\leq 10''$
RF31P/AA



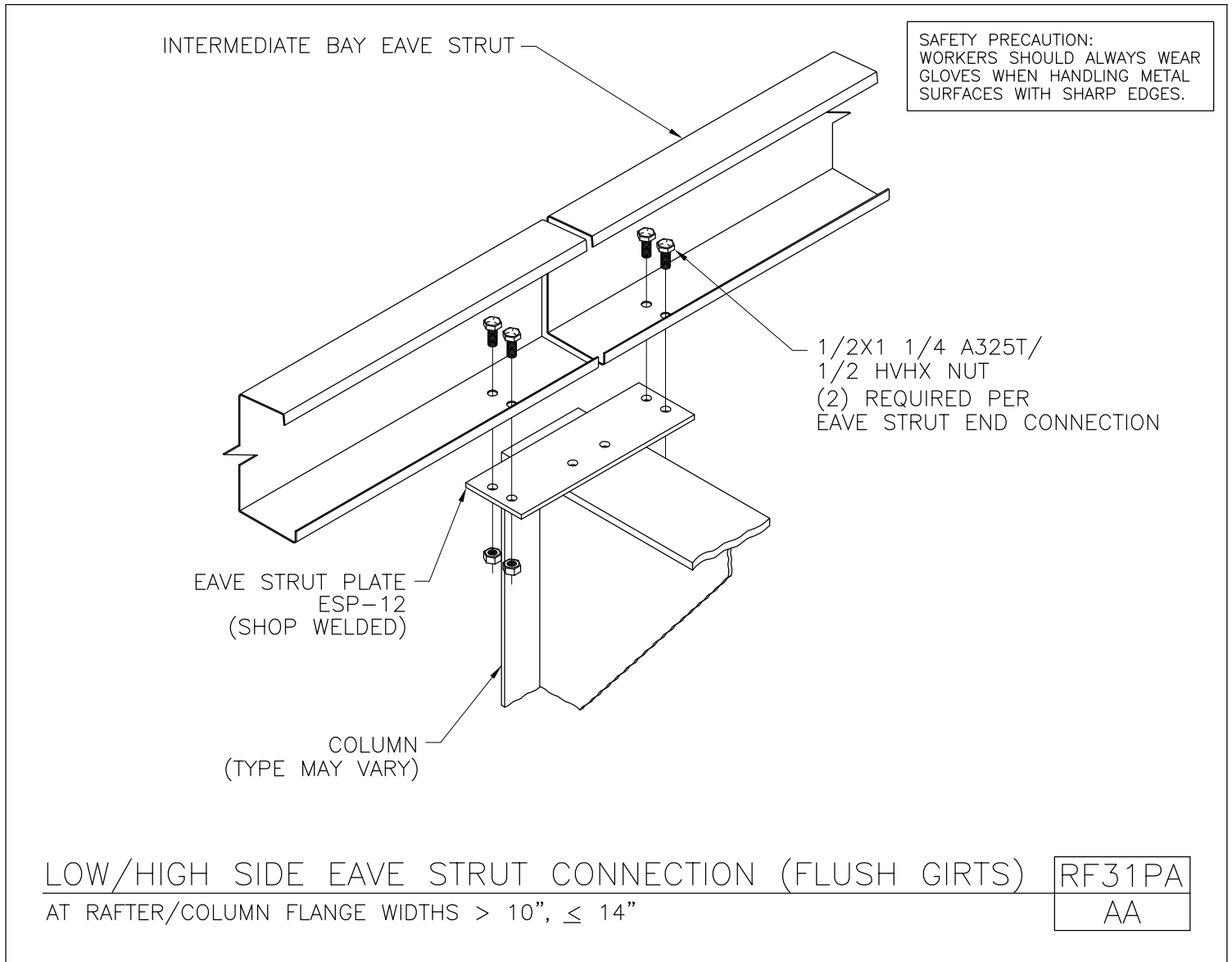
[Download the DWG file by clicking here.](#)

[To Section Index](#)

Low/High Side Eave Strut Connection (Flush Girts)

At Rafter / Column Flange Widths $> 10"$, $\leq 14"$

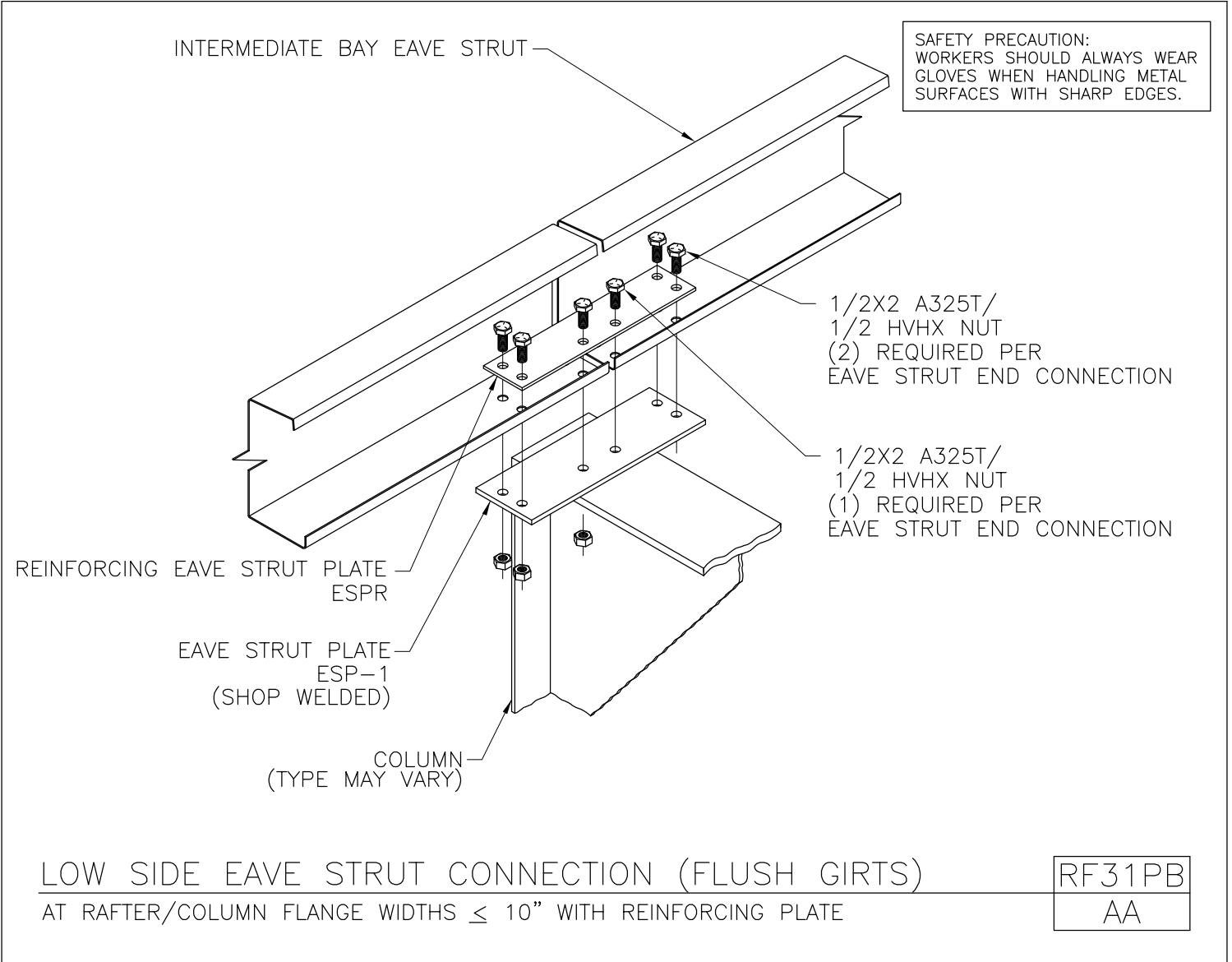
RF31PA/AA



[Download the DWG file by clicking here.](#)

[To Section Index](#)

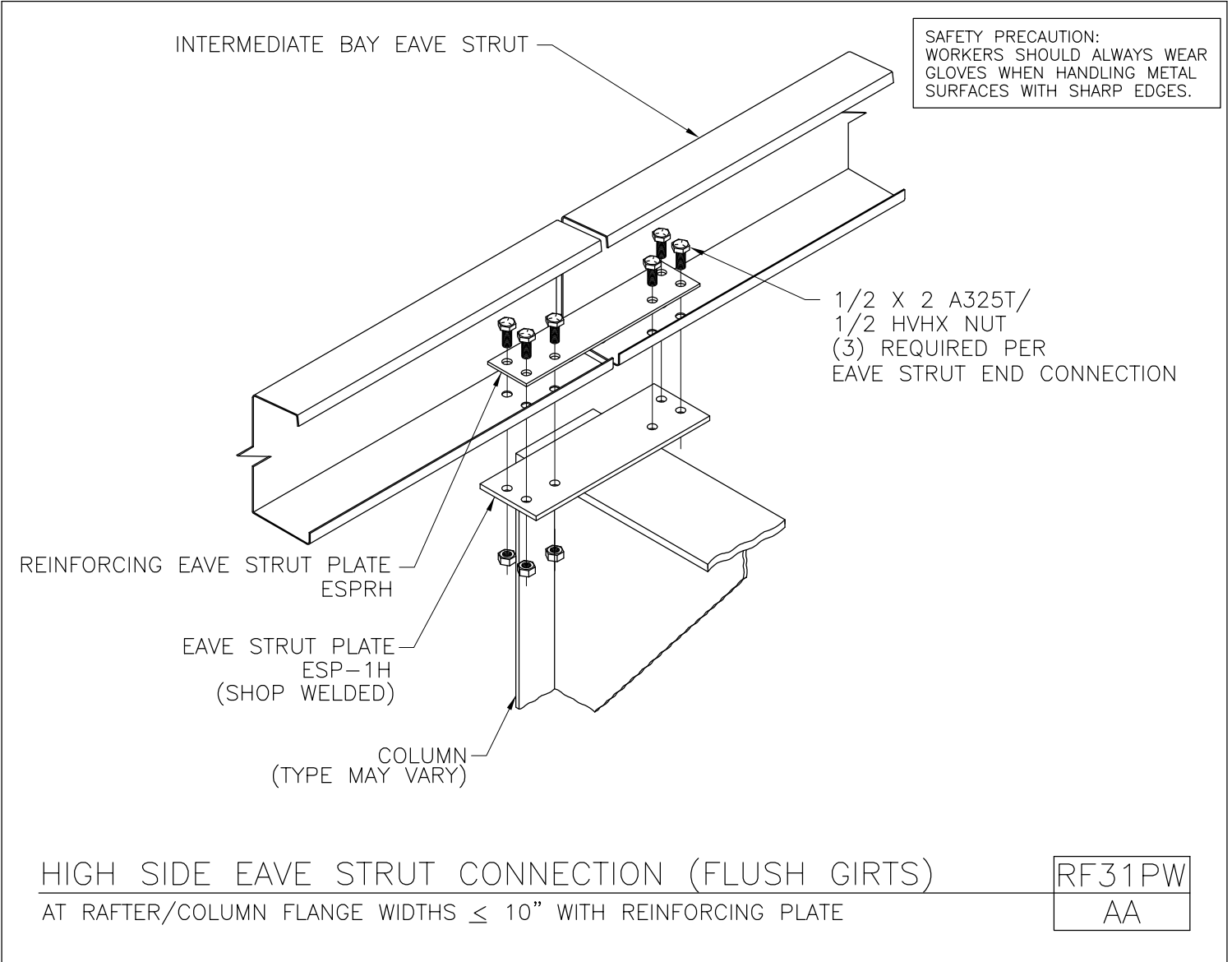
Low Side Eave Strut Connection (Flush Girts)
At Rafter / Column Flange Widths $\leq 10''$ with Reinforcing Plate
RF31PB/AA



[Download the DWG file by clicking here.](#)

[To Section Index](#)

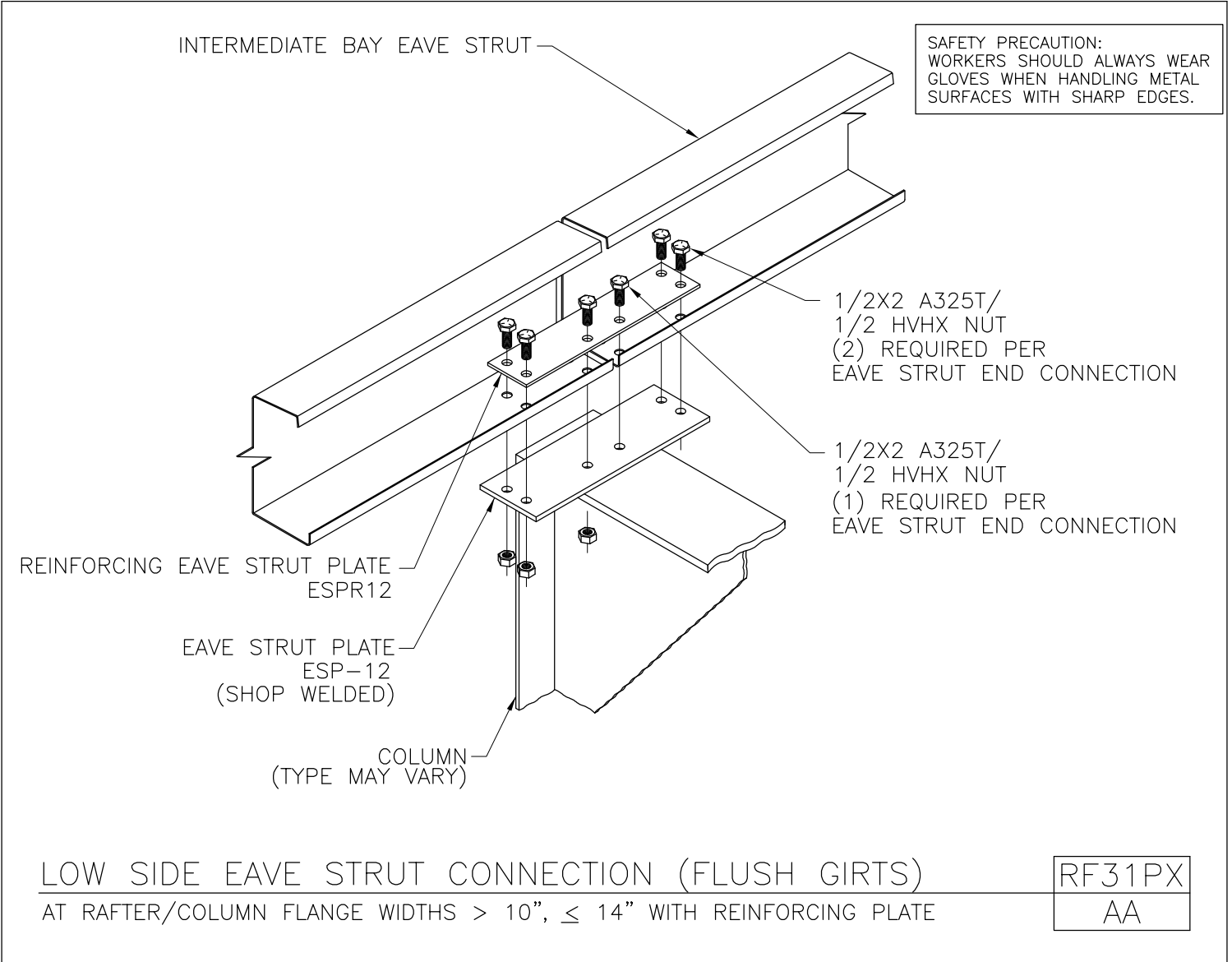
High Side Eave Strut Connection (Flush Girts)
 At Rafter/Column Flange Widths $\leq 10''$ with Reinforcing Plate
 RF31PW/AA



[Download the DWG file by clicking here.](#)

[To Section Index](#)

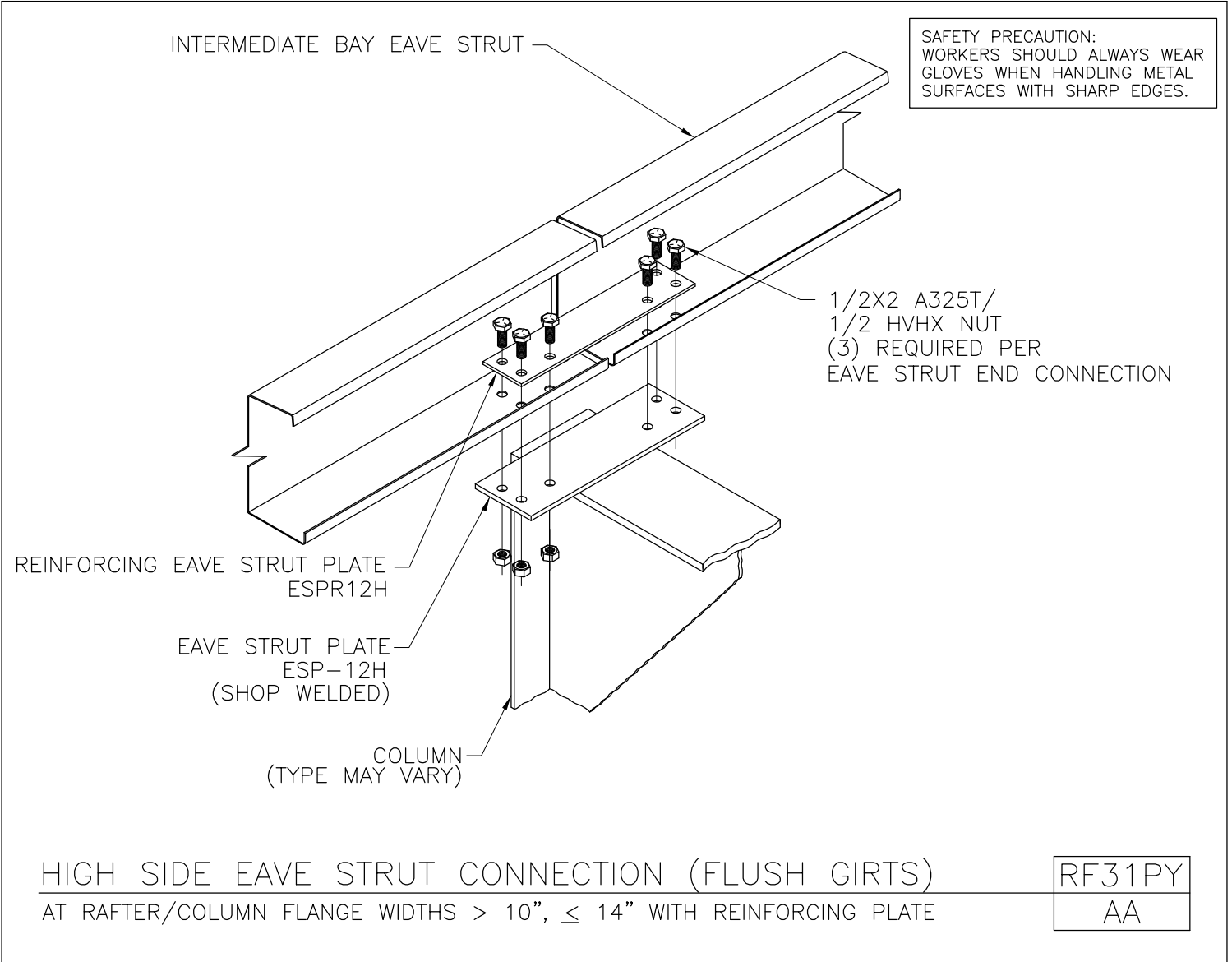
Low Side Eave Strut Connection (Flush Girts)
 At Rafter / Column Flange Widths > 10", <= 14" with Reinforcing Plate
 RF31PX/AA



[Download the DWG file by clicking here.](#)

[To Section Index](#)

High Side Eave Strut Connection (Flush Girts)
 At Rafter / Column Flange Widths $> 10"$, $\leq 14"$ with Reinforcing Plate
 RF31PY/AA



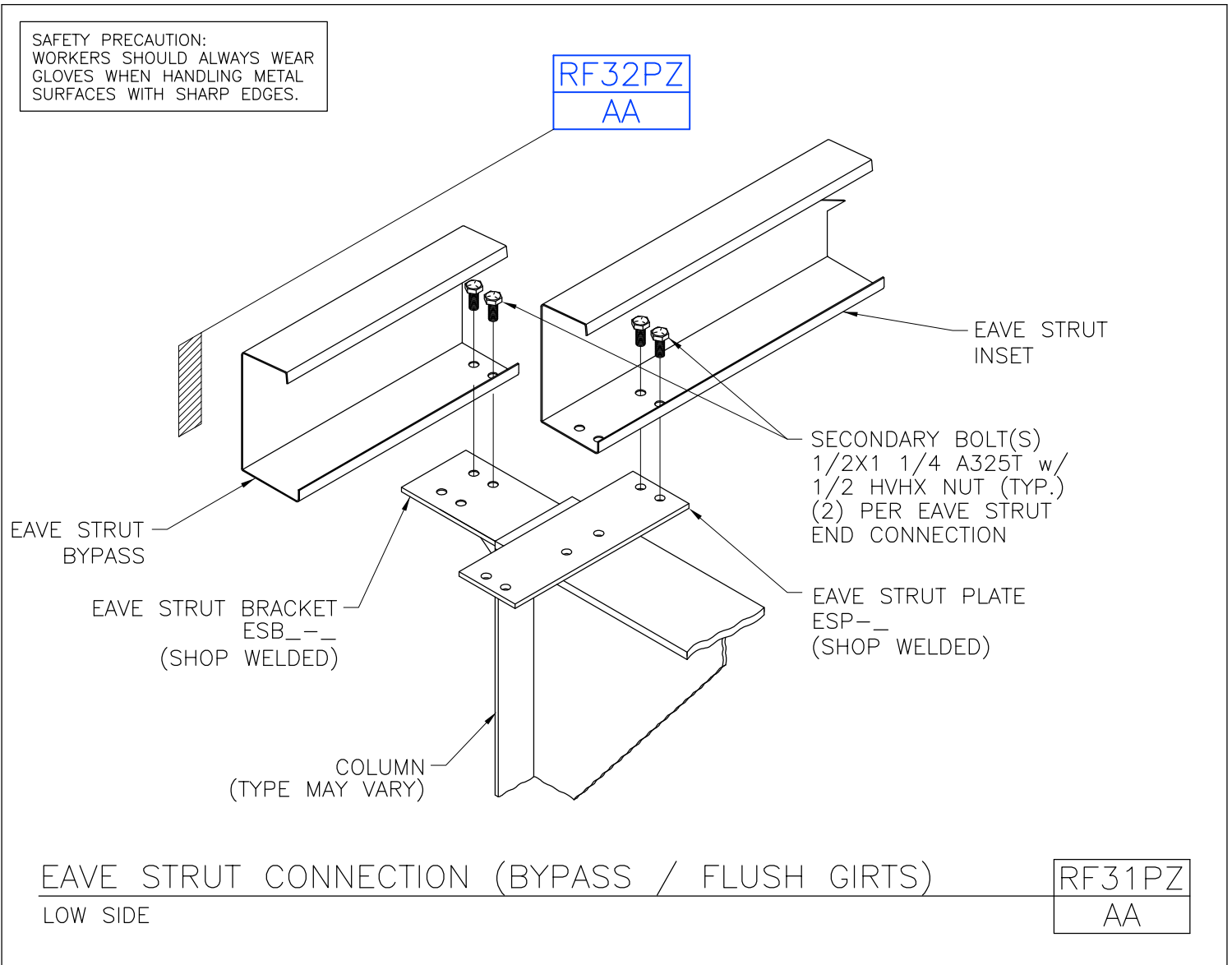
[Download the DWG file by clicking here.](#)

[To Section Index](#)

Eave Strut Connection (Bypass / Flush Girts)

Low Side

RF31PZ/AA



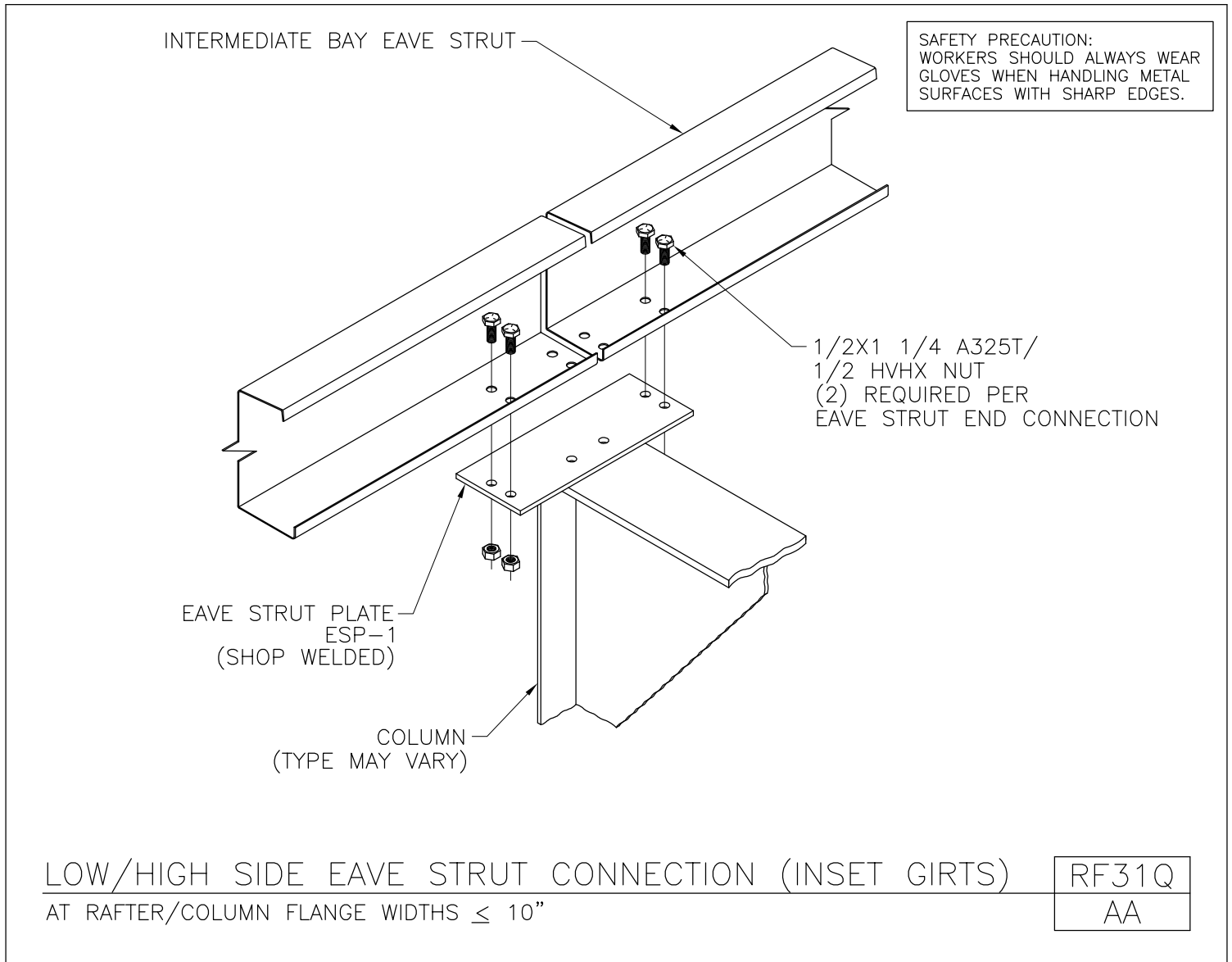
[Download the DWG file by clicking here.](#)

[To Section Index](#)

Low/High Side Eave Strut Connection (Inset Girts)

At Rafter / Column Flange Widths $\leq 10"$

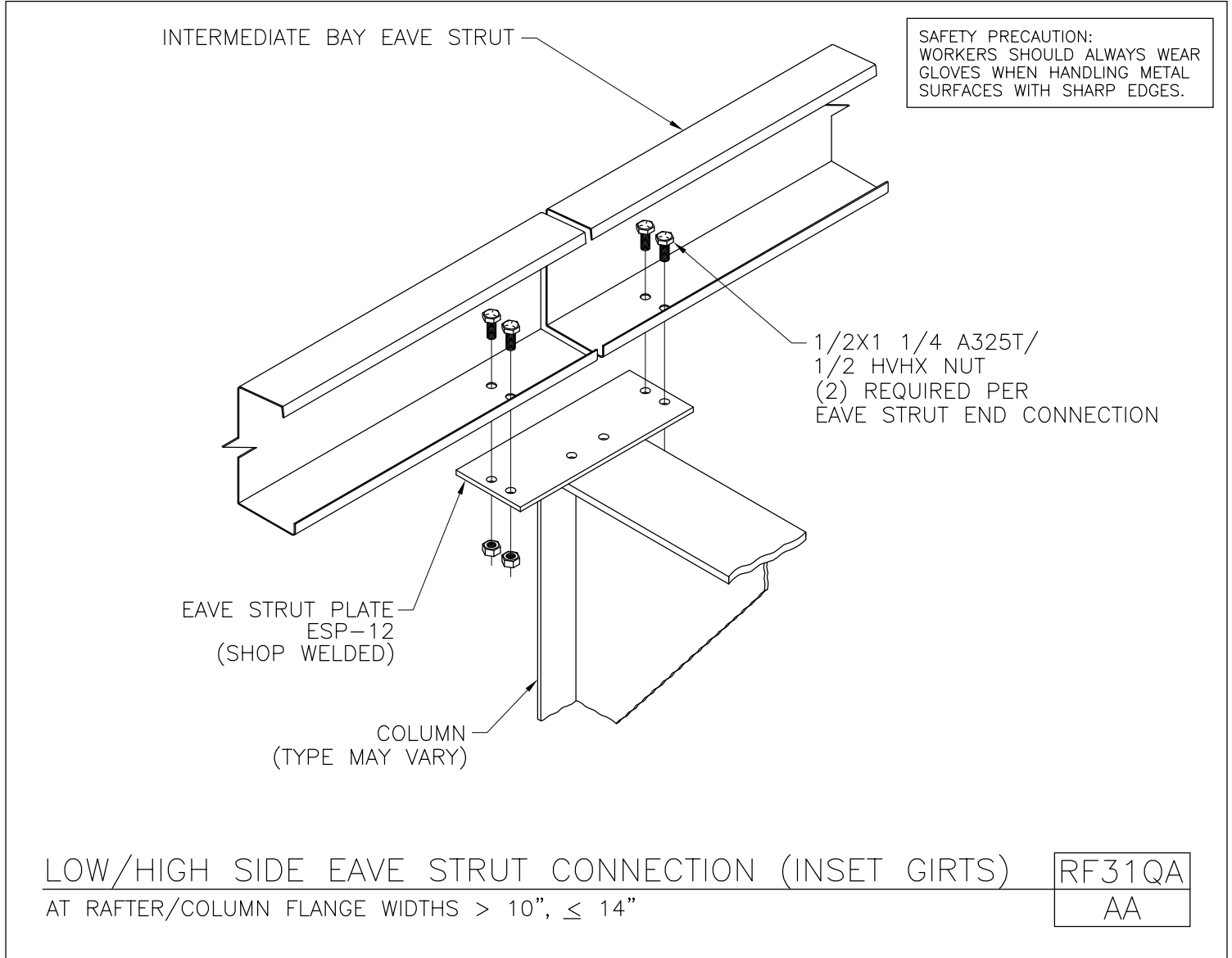
RF31Q/AA



[Download the DWG file by clicking here.](#)

[To Section Index](#)

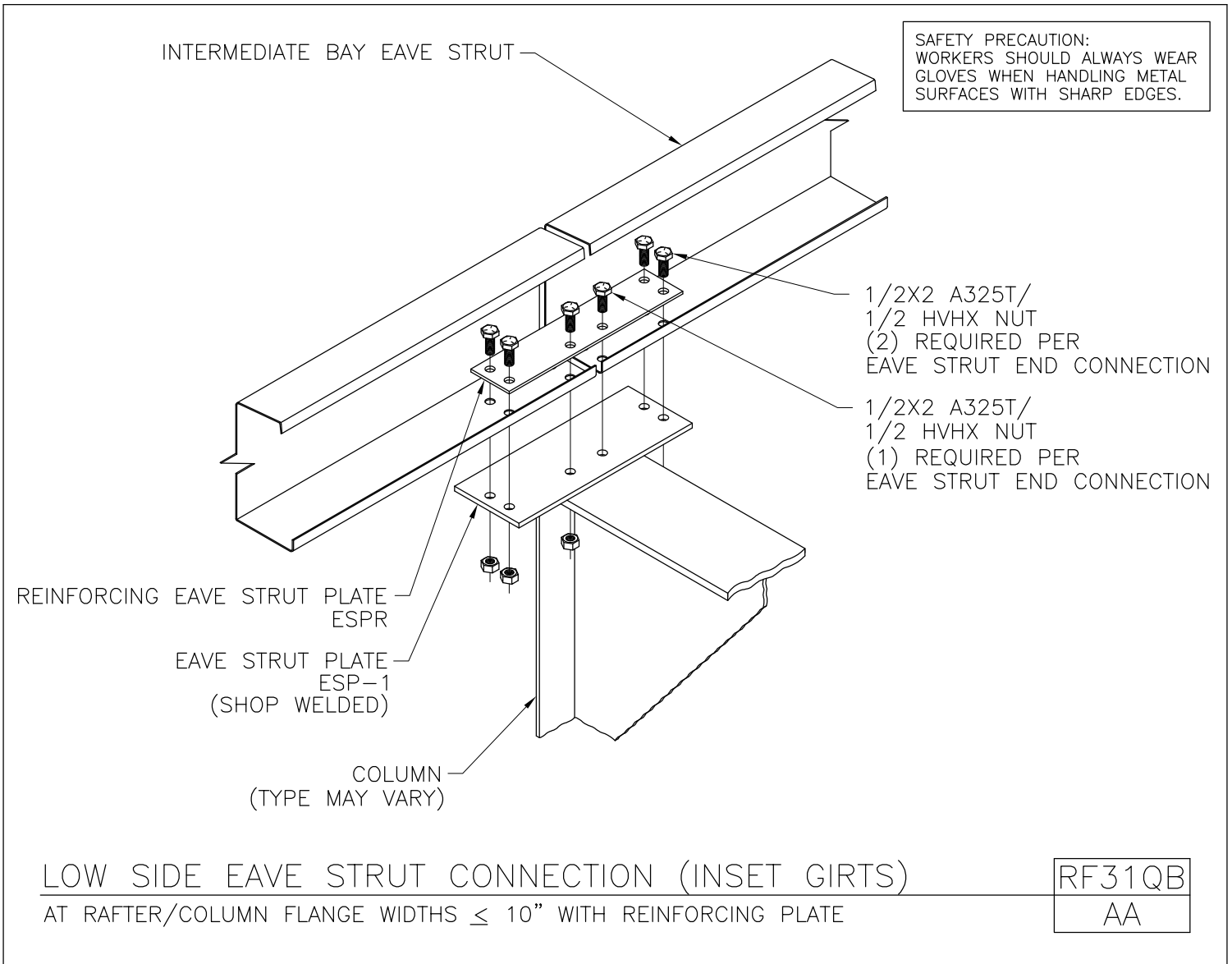
Low/High Side Eave Strut Connection (Inset Girts)
 At Rafter / Column Flange Widths $> 10"$, $\leq 14"$
 RF31QA/AA



[Download the DWG file by clicking here.](#)

[To Section Index](#)

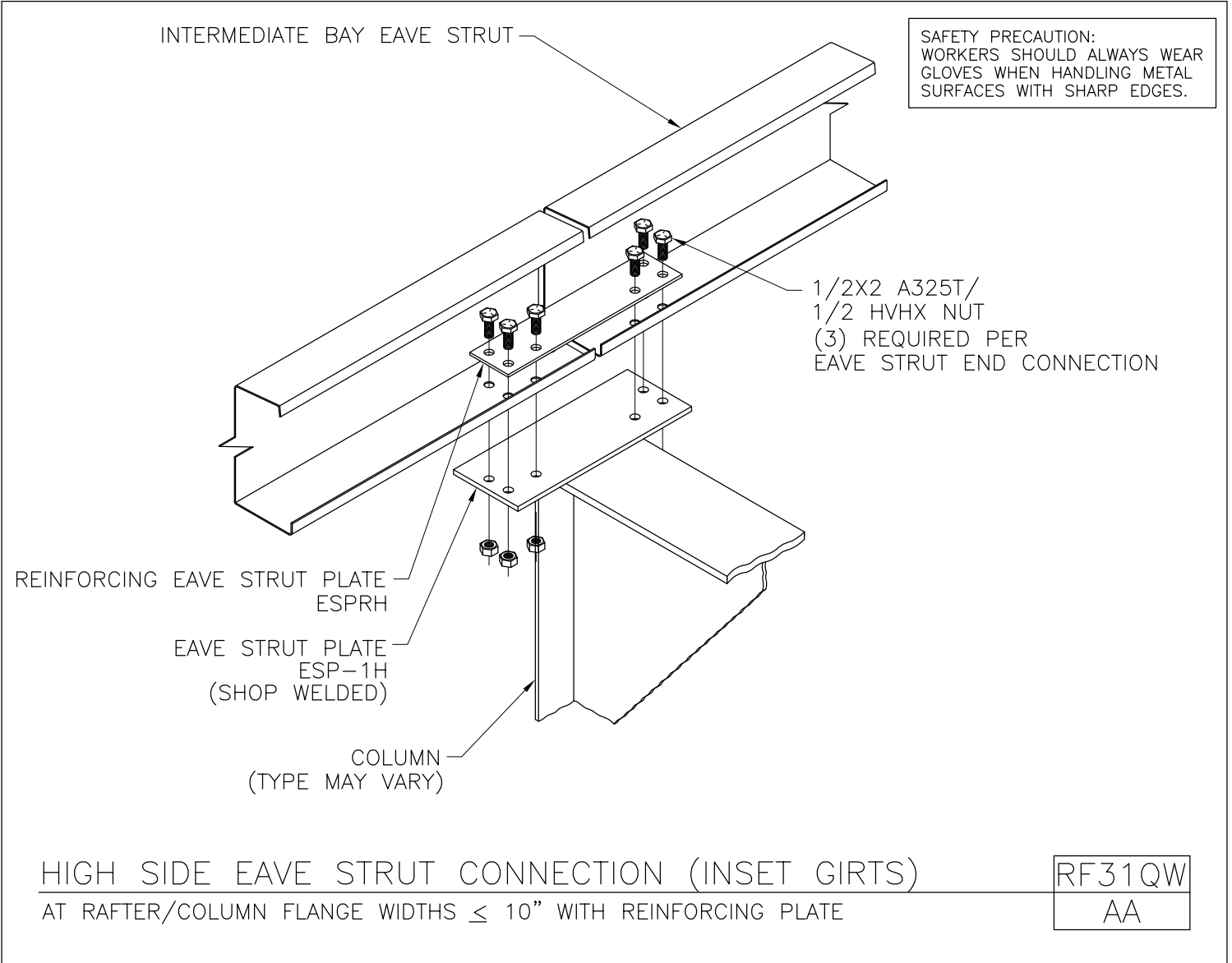
Low Side Eave Strut Connection (Inset Girts)
 At Rafter / Column Flange Widths $\leq 10''$ with Reinforcing Plate
 RF31QB/AA



[Download the DWG file by clicking here.](#)

[To Section Index](#)

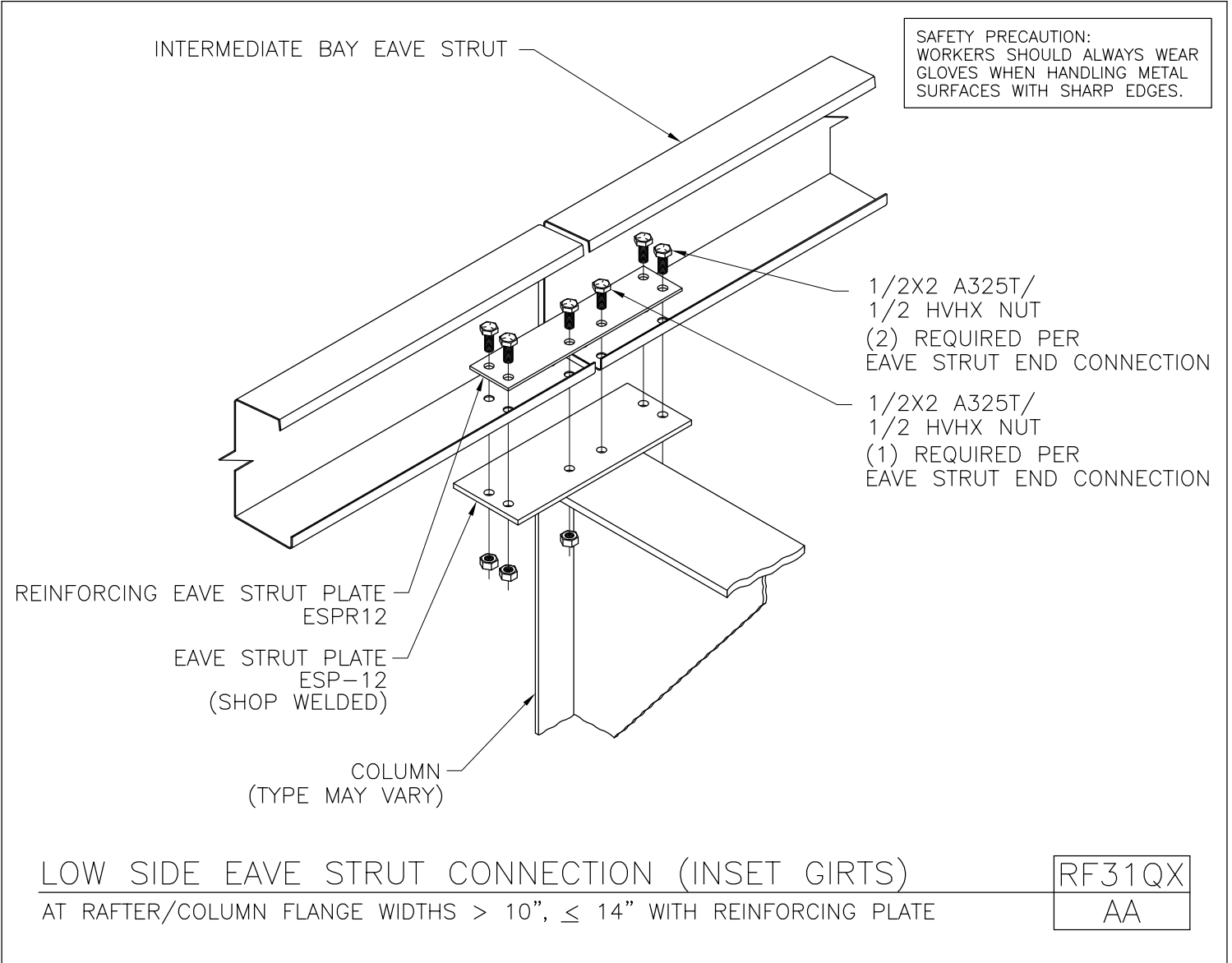
Highside Eave Strut Connection (Inset Girts)
At Rafter/Column Flange Widths $\leq 10''$ with Reinforcing Plate
RF31QW/AA



[Download the DWG file by clicking here.](#)

[To Section Index](#)

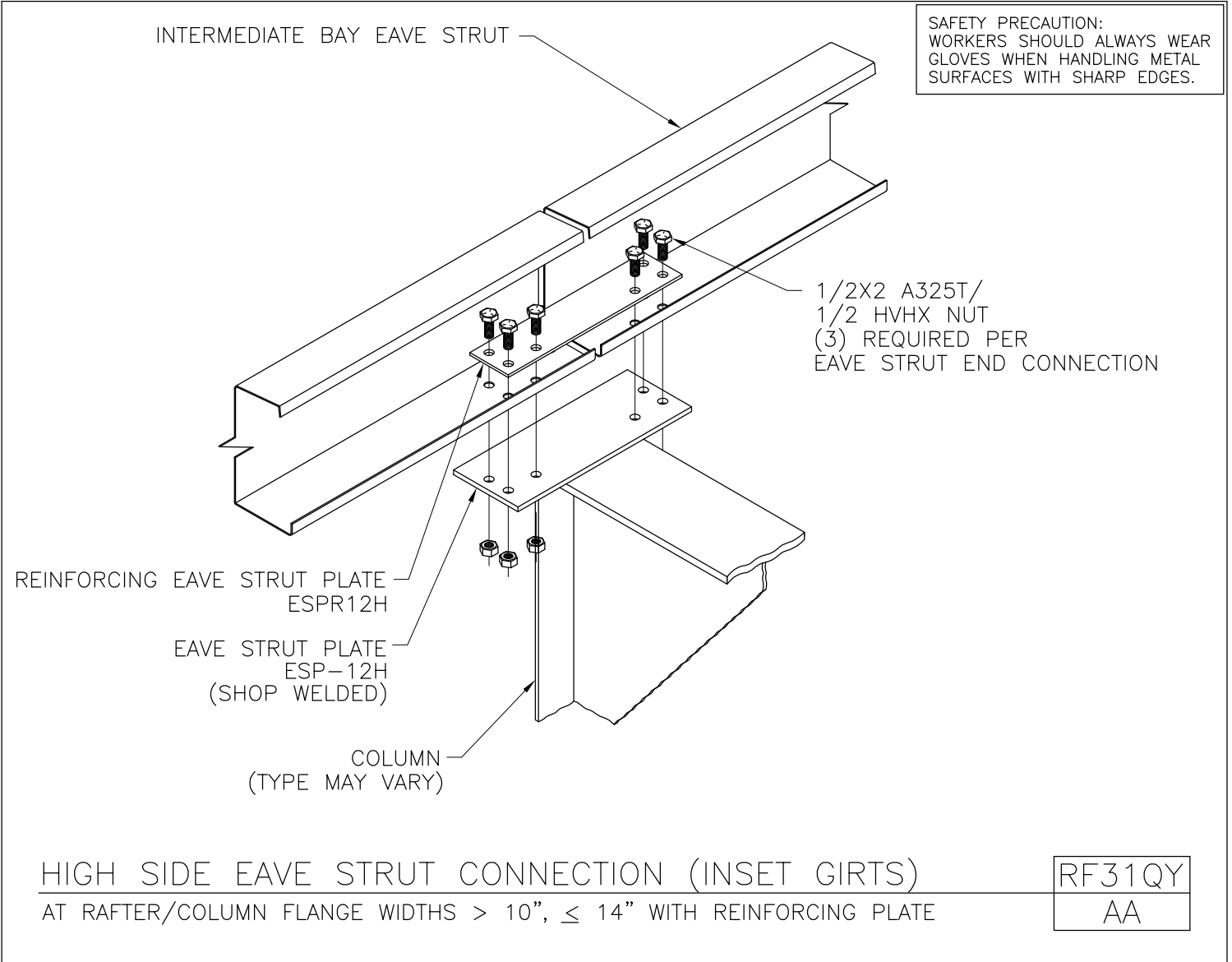
Low Side Eave Strut Connection (Inset Girts)
At Rafter / Column Flange Widths > 10", <= 14" Reinforcing Plate
RF31QX/AA



[Download the DWG file by clicking here.](#)

[To Section Index](#)

High Side Eave Strut Connection (Inset Girts)
 At Rafter / Column Flange Widths $> 10"$, $\leq 14"$ with Reinforcing Plate
 RF31QY/AA



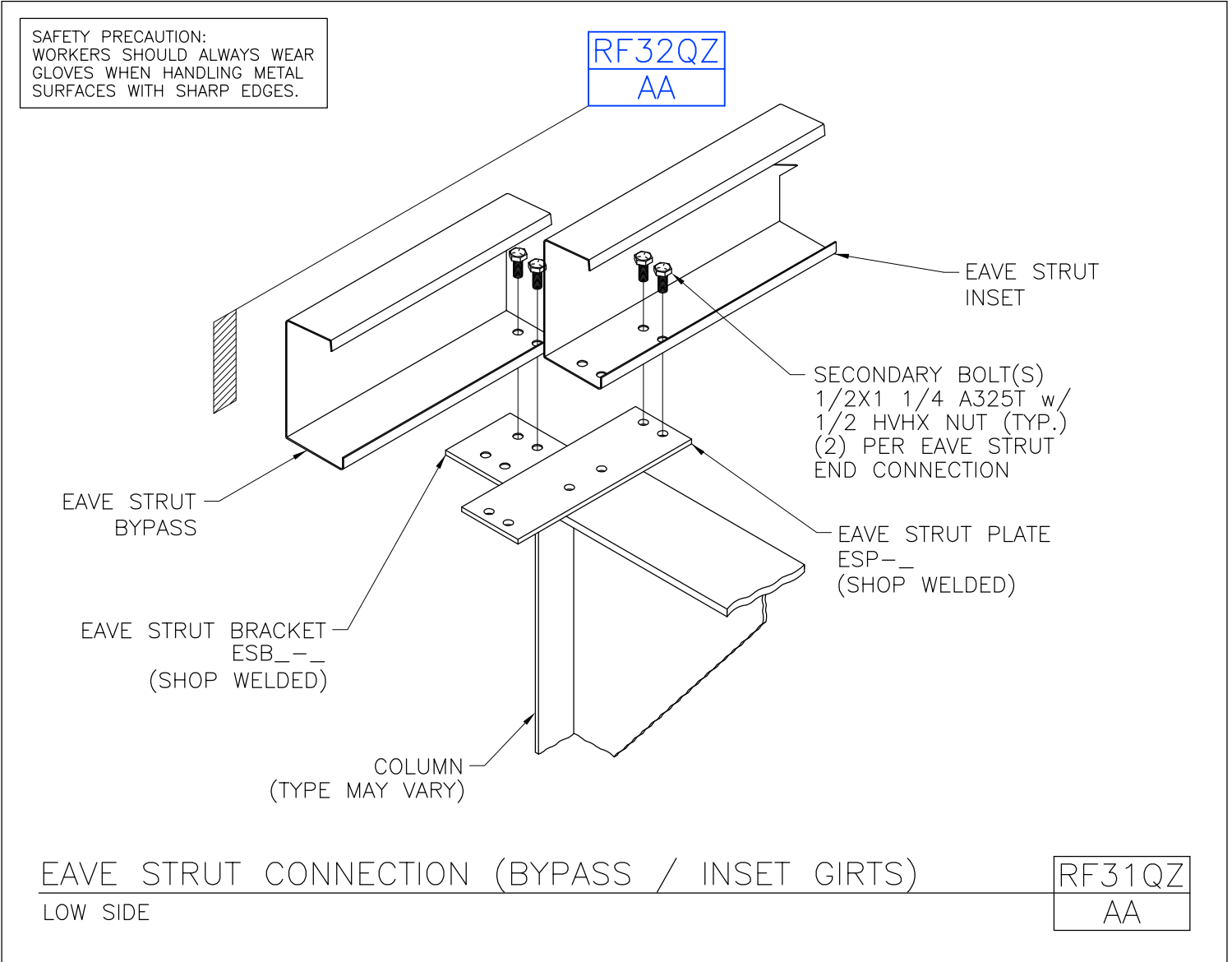
[Download the DWG file by clicking here.](#)

[To Section Index](#)

Eave Strut Connection (Bypass / Inset Girts)

Low Side

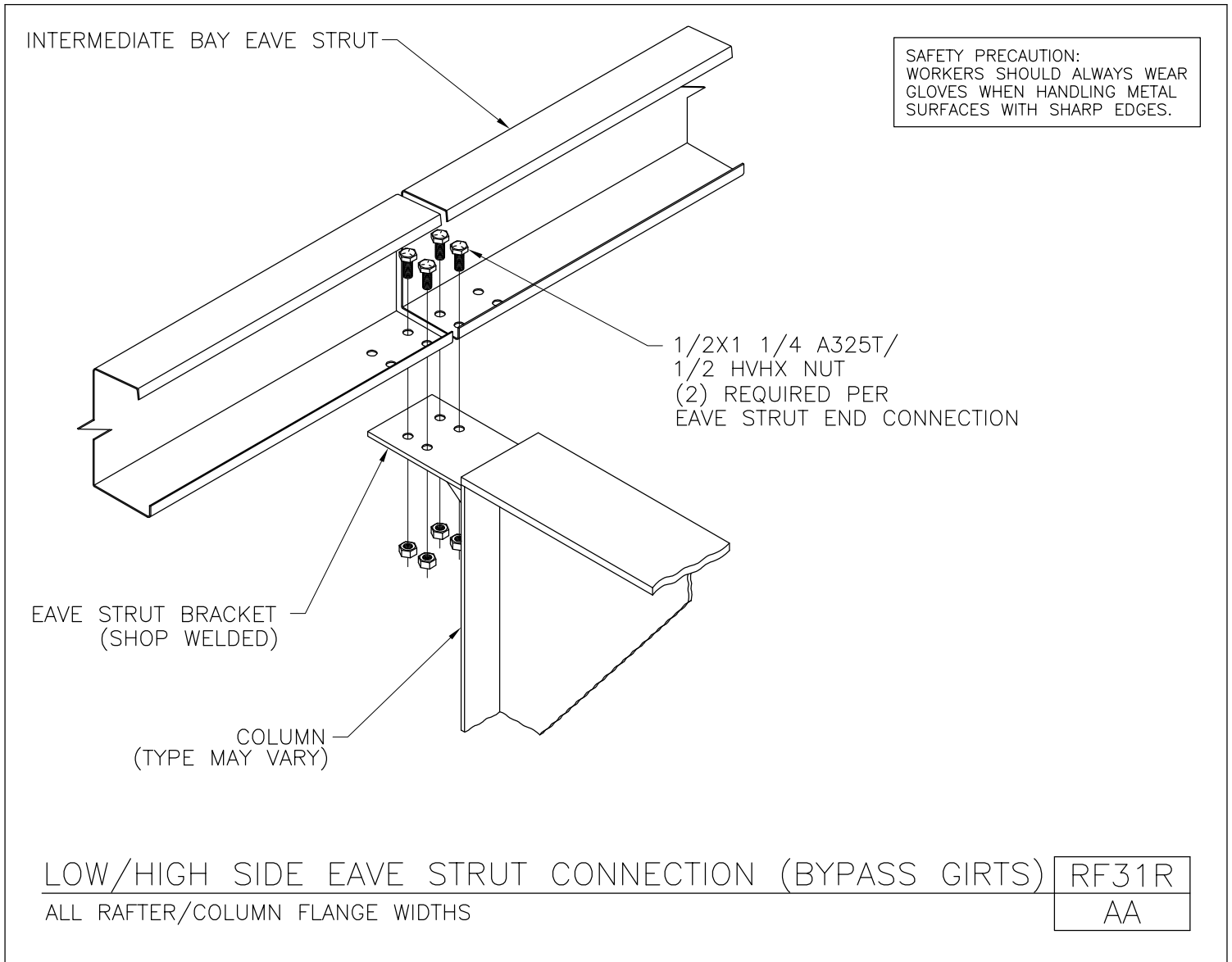
RF31QZ/AA



[Download the DWG file by clicking here.](#)

[To Section Index](#)

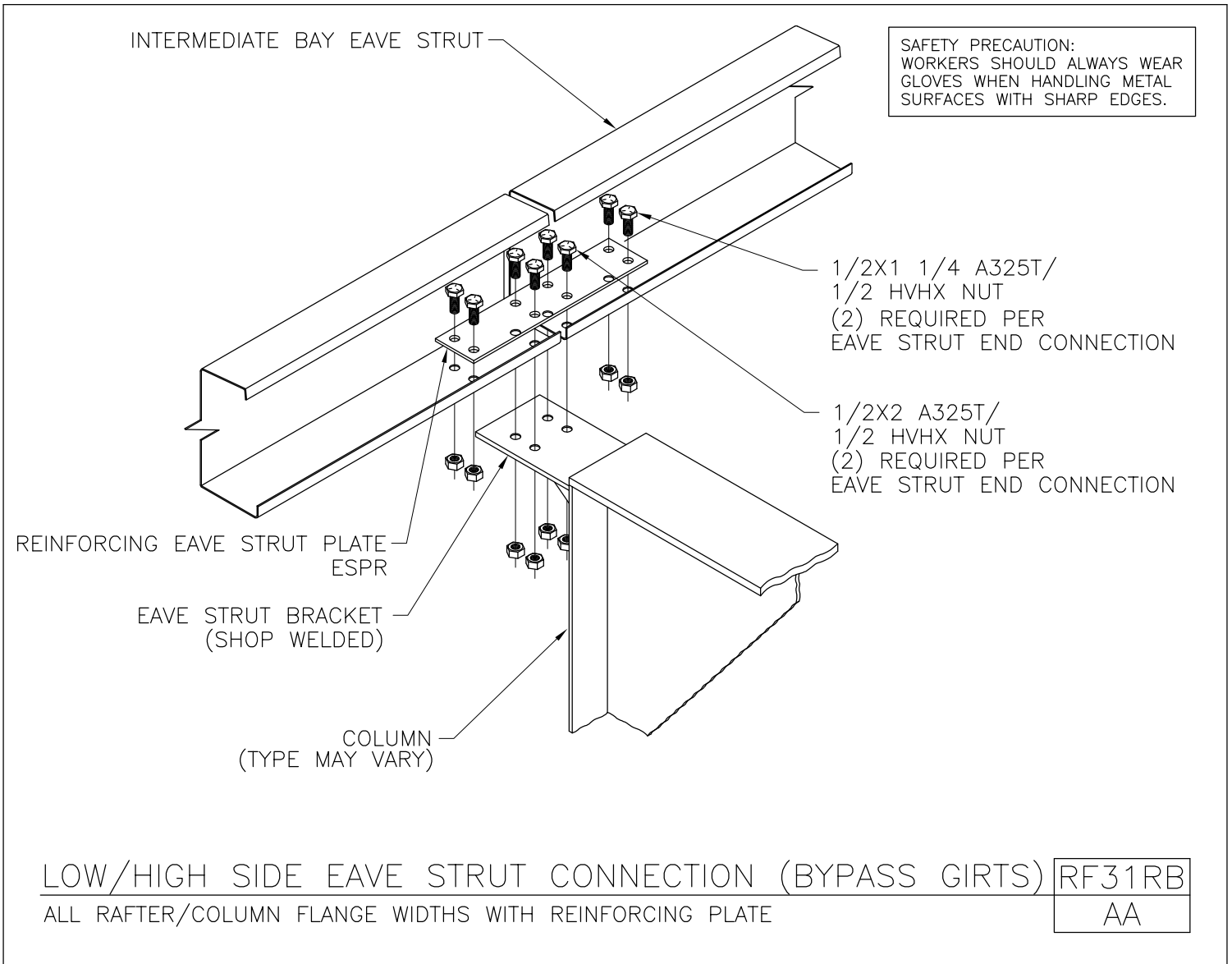
Low/High Side Eave Strut Connection (Bypass Girts)
All Rafter / Column Flange Widths
RF31R/AA



[Download the DWG file by clicking here.](#)

[To Section Index](#)

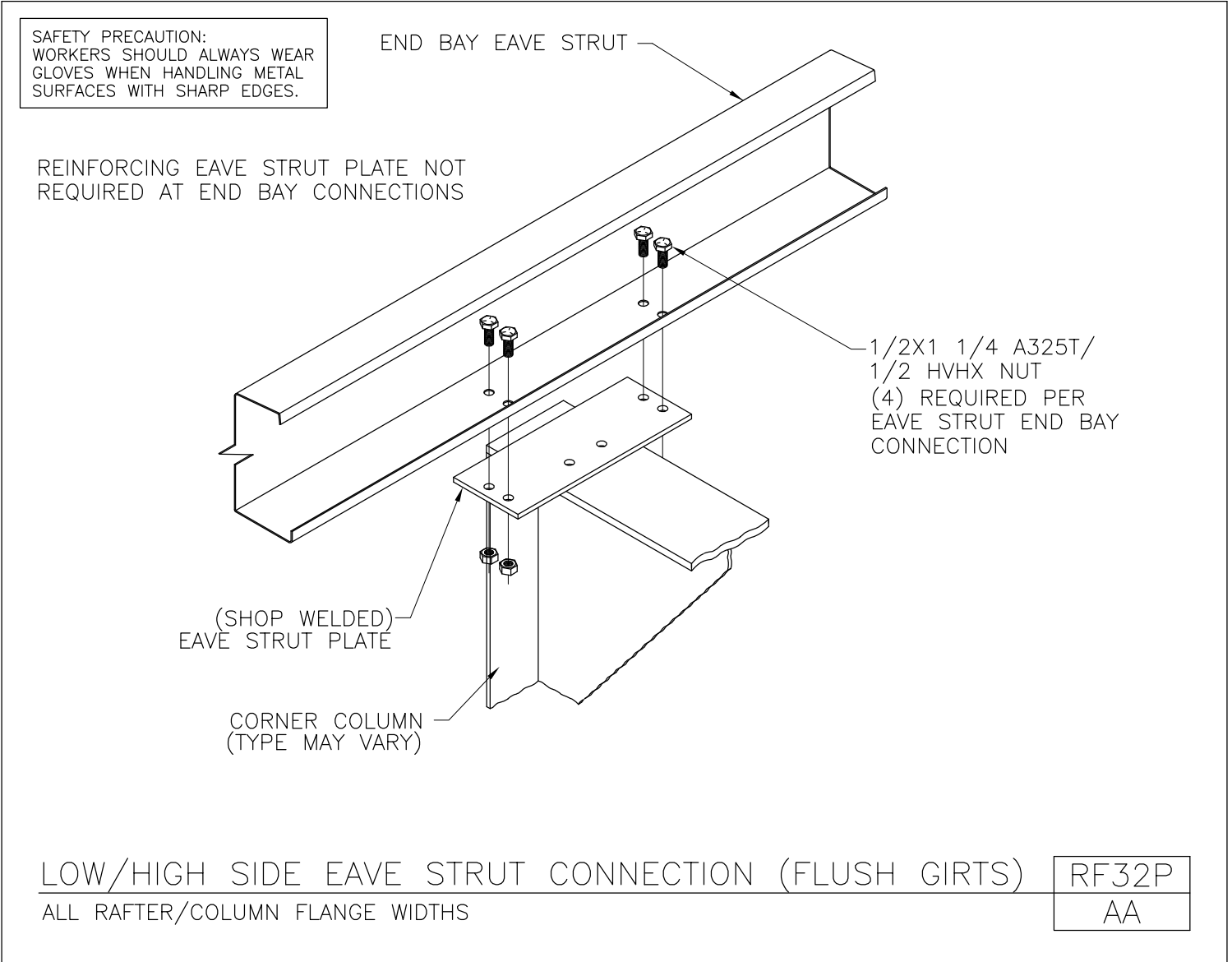
Low/High Side Eave Stut Connection (Bypass Girts)
All Rafter / Column Flange Widths with Reinforcing Plate
RF31RB/AA



[Download the DWG file by clicking here.](#)

[To Section Index](#)

Low/High Side Eave Strut Connection (Flush Girts)
All Rafter/Column Flange Widths
RF32P/AA



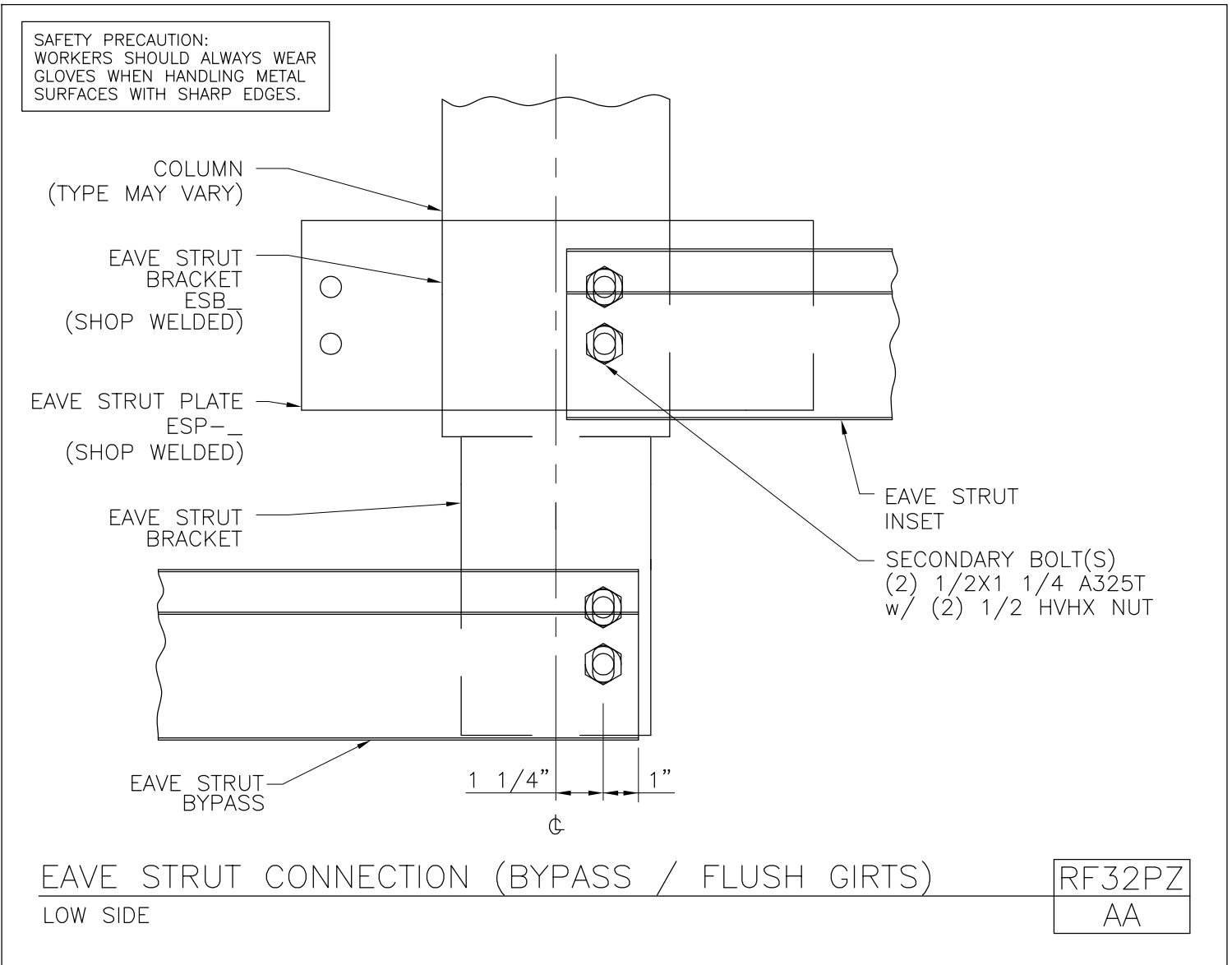
[Download the DWG file by clicking here.](#)

[To Section Index](#)

Eave Strut Connection (Bypass / Flush Girts)

Low Side

RF32PZ/AA



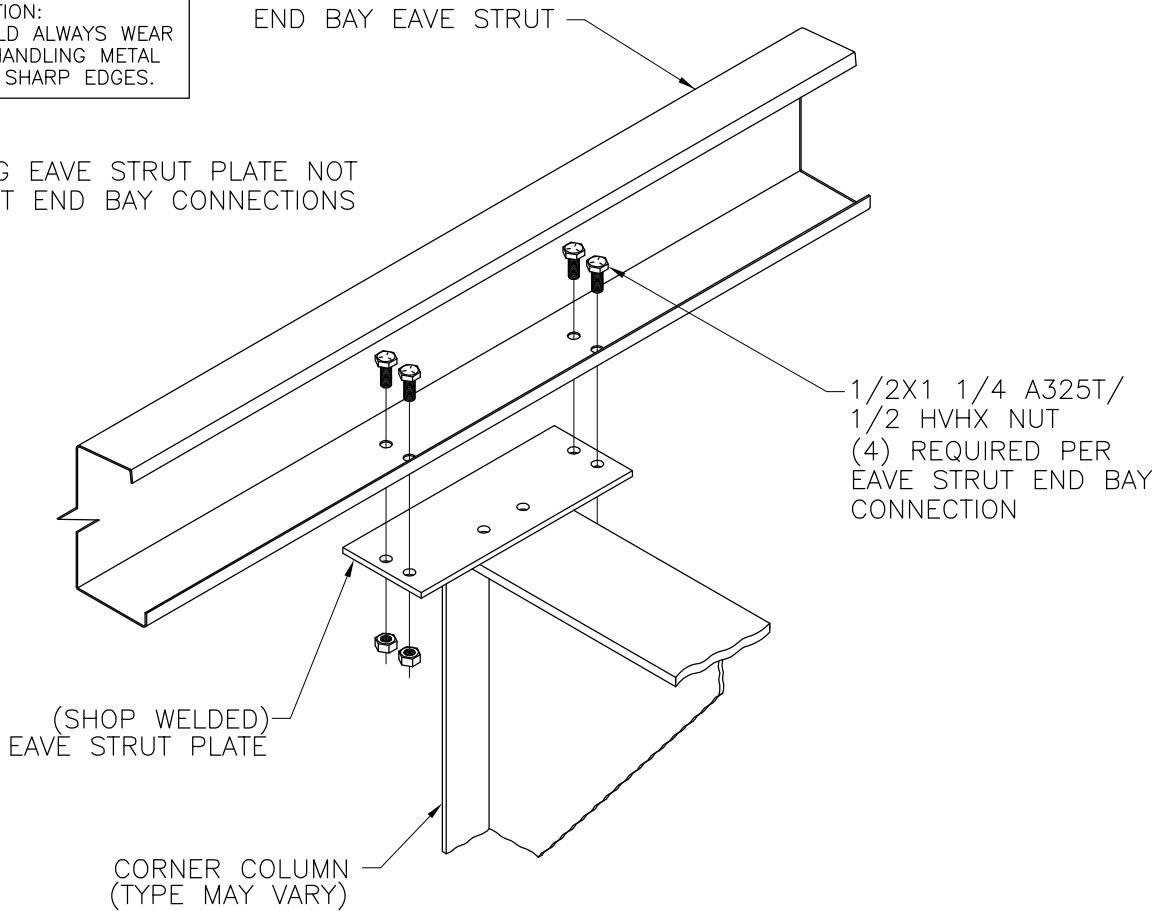
[Download the DWG file by clicking here.](#)

[To Section Index](#)

Low/High Side Eave Strut Connection (Inset Girts)
All Rafter / Column Flange Widths
RF32Q/AA

SAFETY PRECAUTION:
WORKERS SHOULD ALWAYS WEAR
GLOVES WHEN HANDLING METAL
SURFACES WITH SHARP EDGES.

REINFORCING EAVE STRUT PLATE NOT
REQUIRED AT END BAY CONNECTIONS



LOW/HIGH SIDE EAVE STRUT CONNECTION (INSET GIRTS)
ALL RAFTER/COLUMN FLANGE WIDTHS

RF32Q
AA

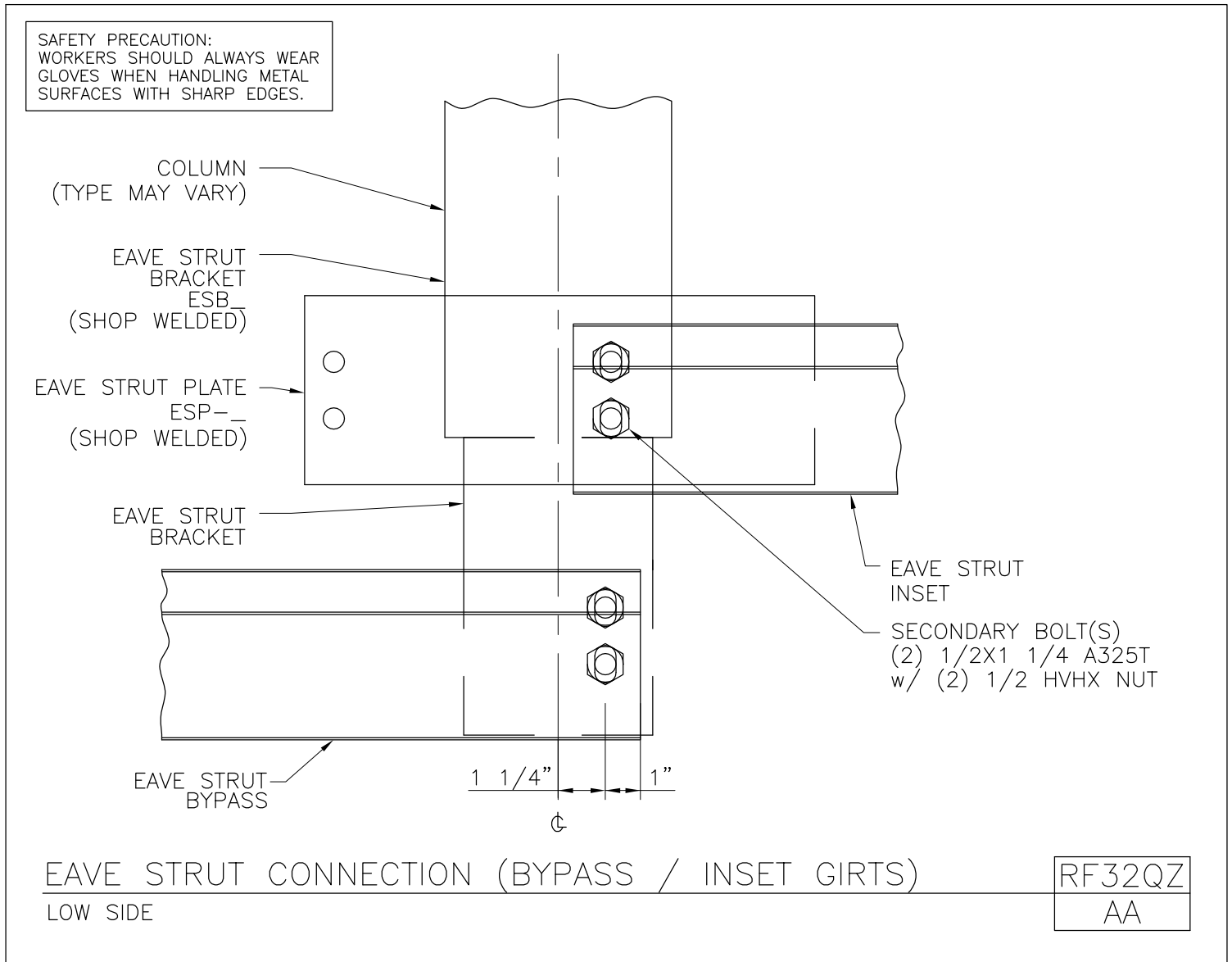
[Download the DWG file by clicking here.](#)

[To Section Index](#)

Eave Strut Connection (Bypass / Inset Girts)

Low Side

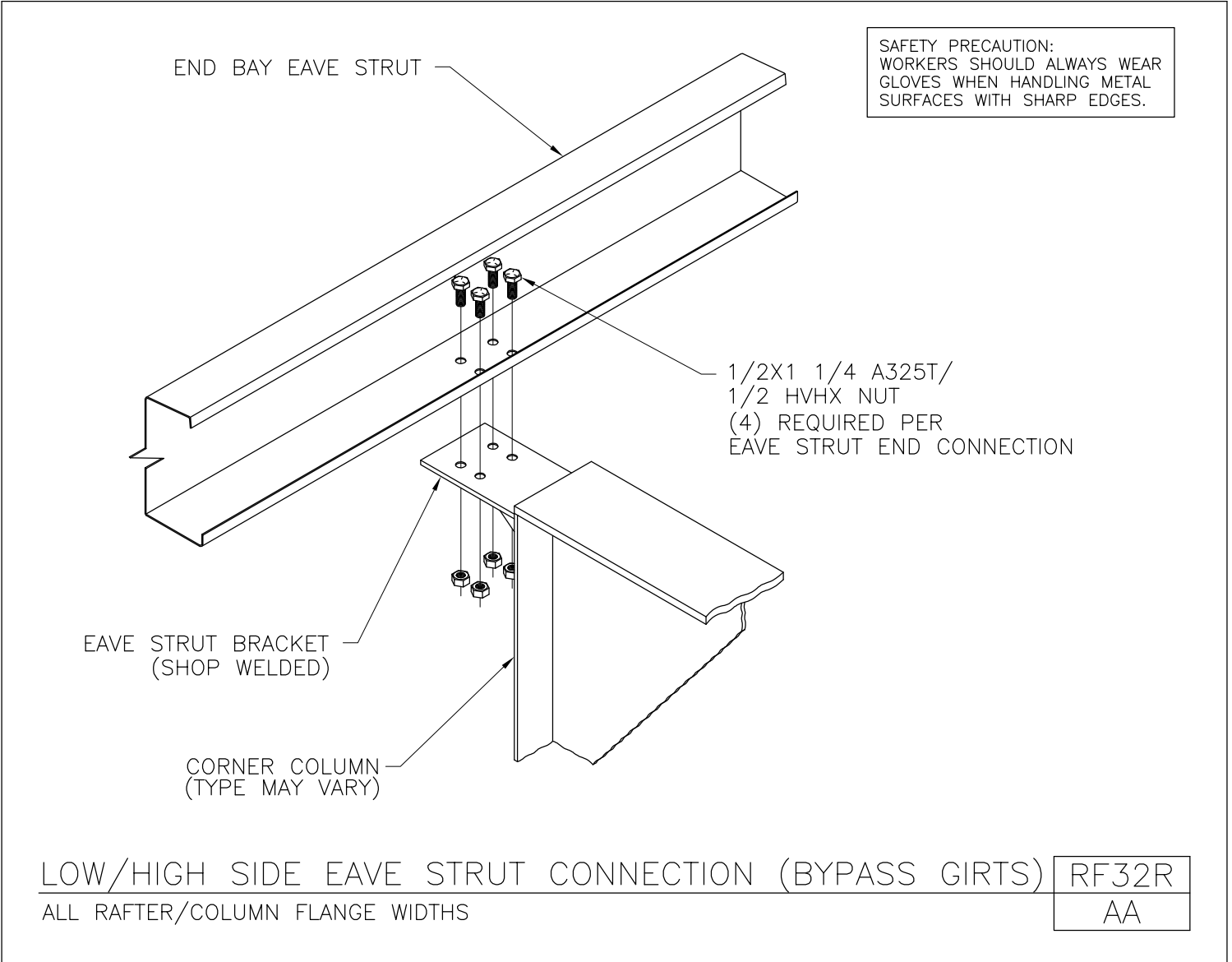
RF32QZ/AA



[Download the DWG file by clicking here.](#)

[To Section Index](#)

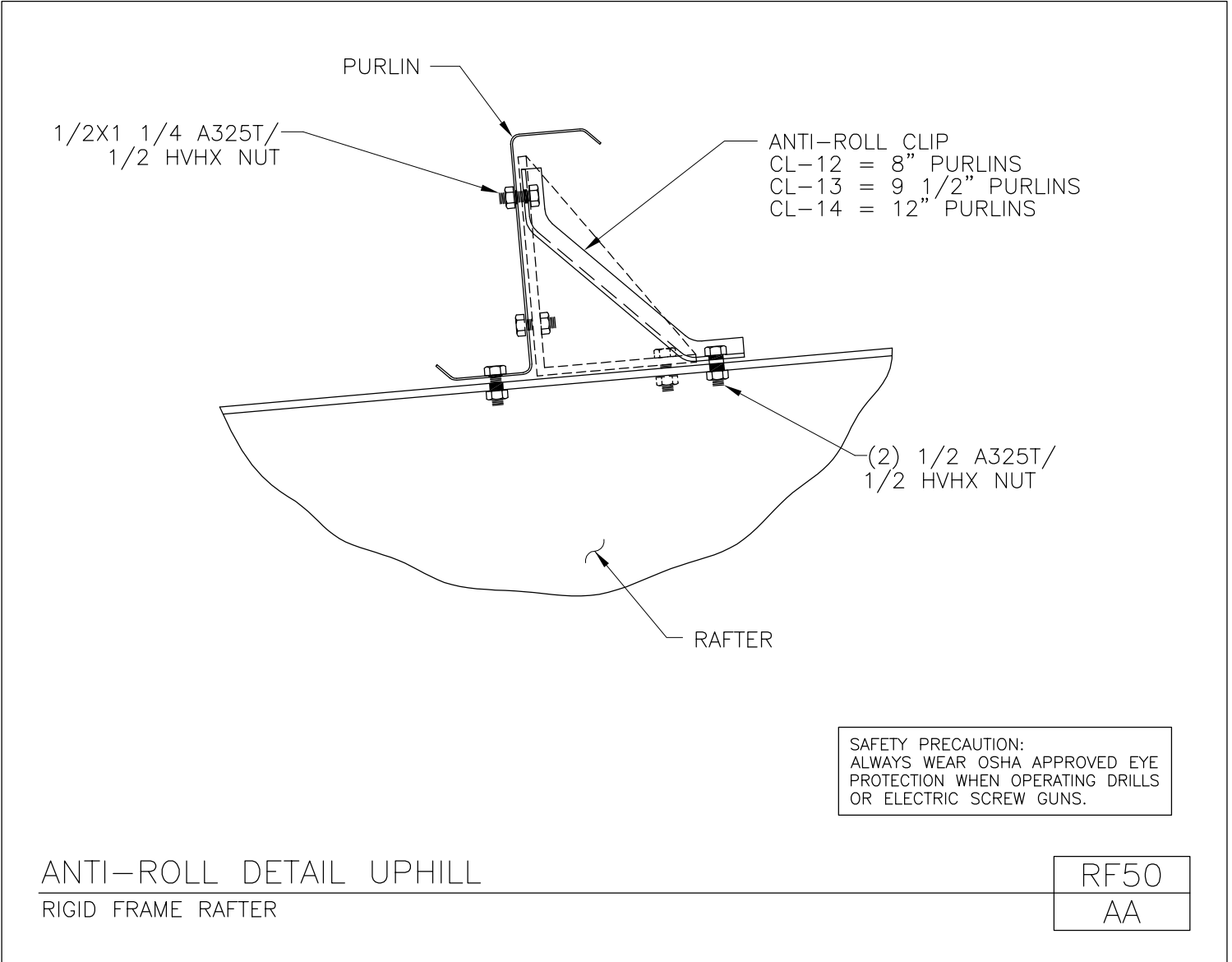
Low/High Side Eave Strut Connection (Bypass Girts)
All Rafter / Column Flange Widths
RF32R/AA



[Download the DWG file by clicking here.](#)

[To Section Index](#)

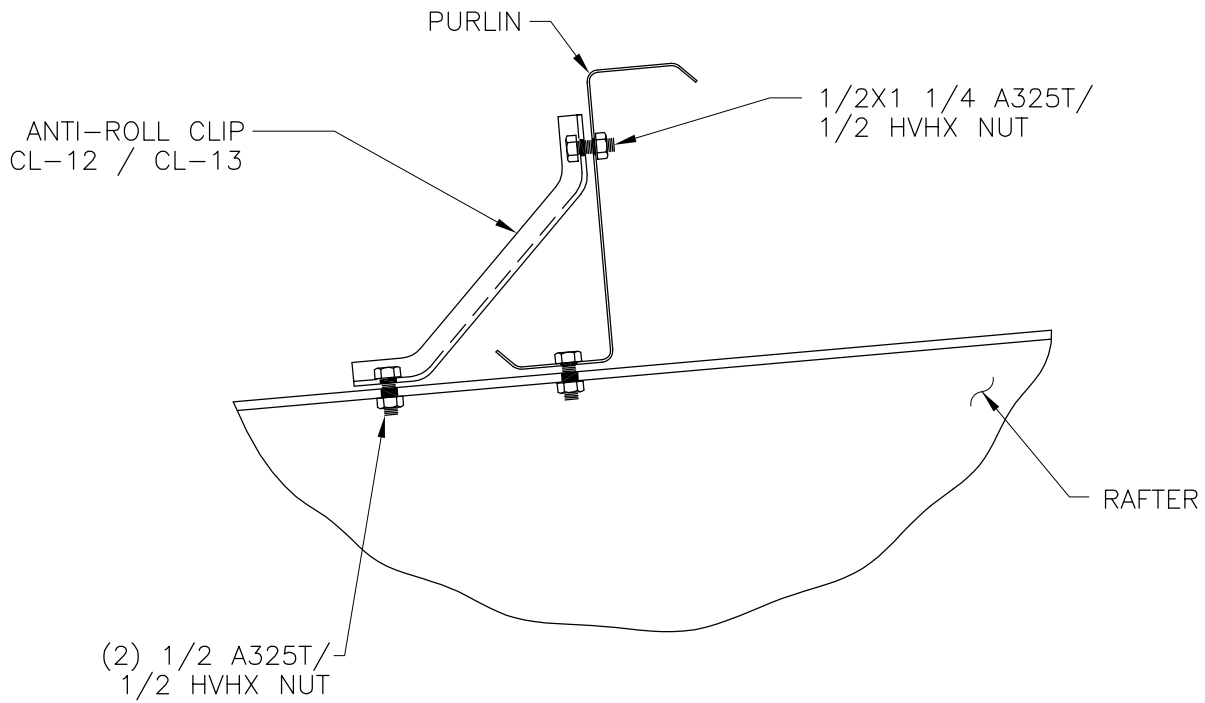
Anti-Roll Clip Detail Uphill
Rigid Frame Rafter
RF50/AA



[Download the DWG file by clicking here.](#)

[To Section Index](#)

Anti-Roll Detail Downhill
Rigid Frame Rafter
RF50A/AA



SAFETY PRECAUTION:
ALWAYS WEAR OSHA APPROVED EYE
PROTECTION WHEN OPERATING DRILLS
OR ELECTRIC SCREW GUNS.

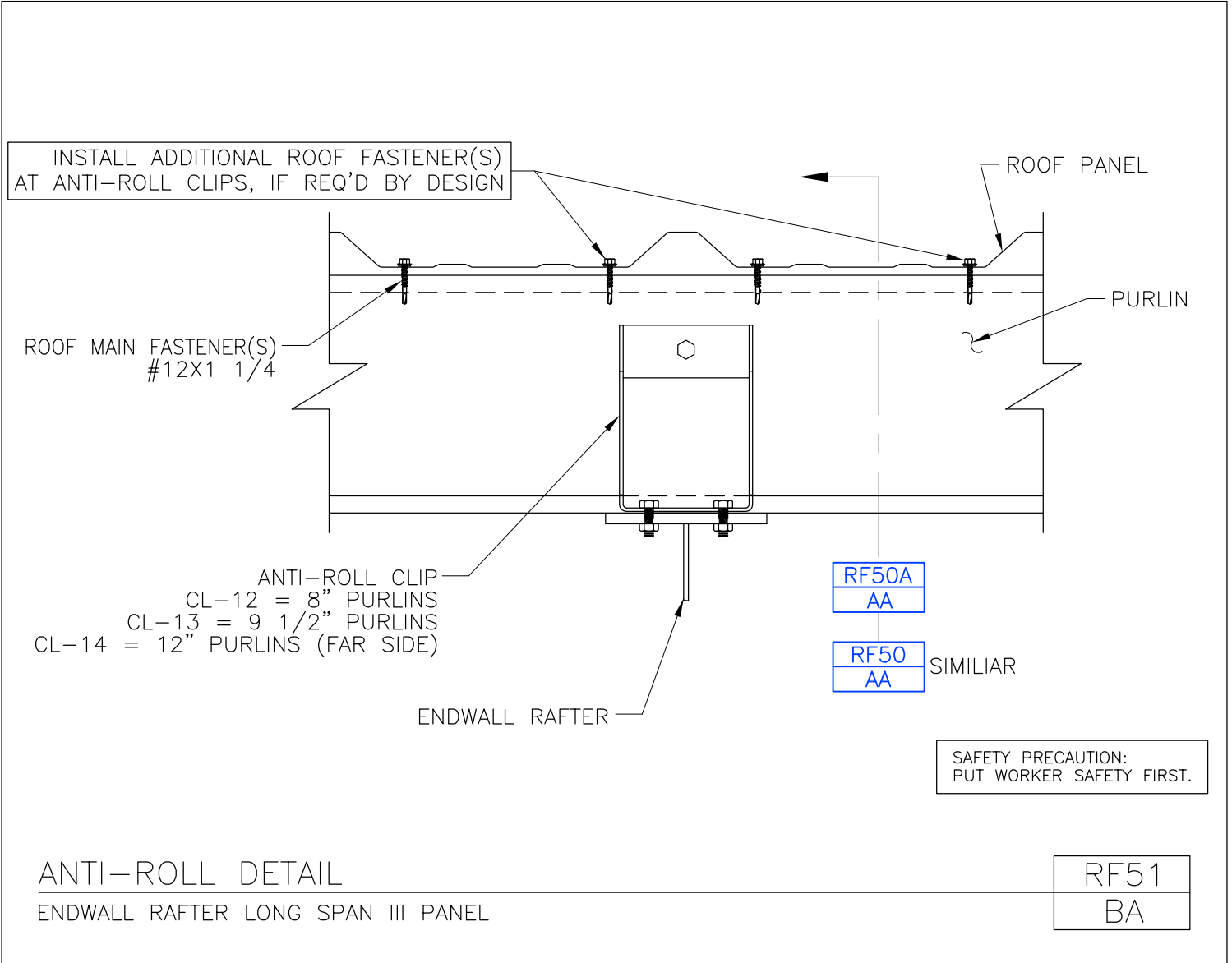
ANTI-ROLL DETAIL DOWNHILL
RIGID FRAME RAFTER

RF50A
AA

[Download the DWG file by clicking here.](#)

[To Section Index](#)

Anti-Roll Detail
Endwall Rafter Long Span III Panel
RF51/BA

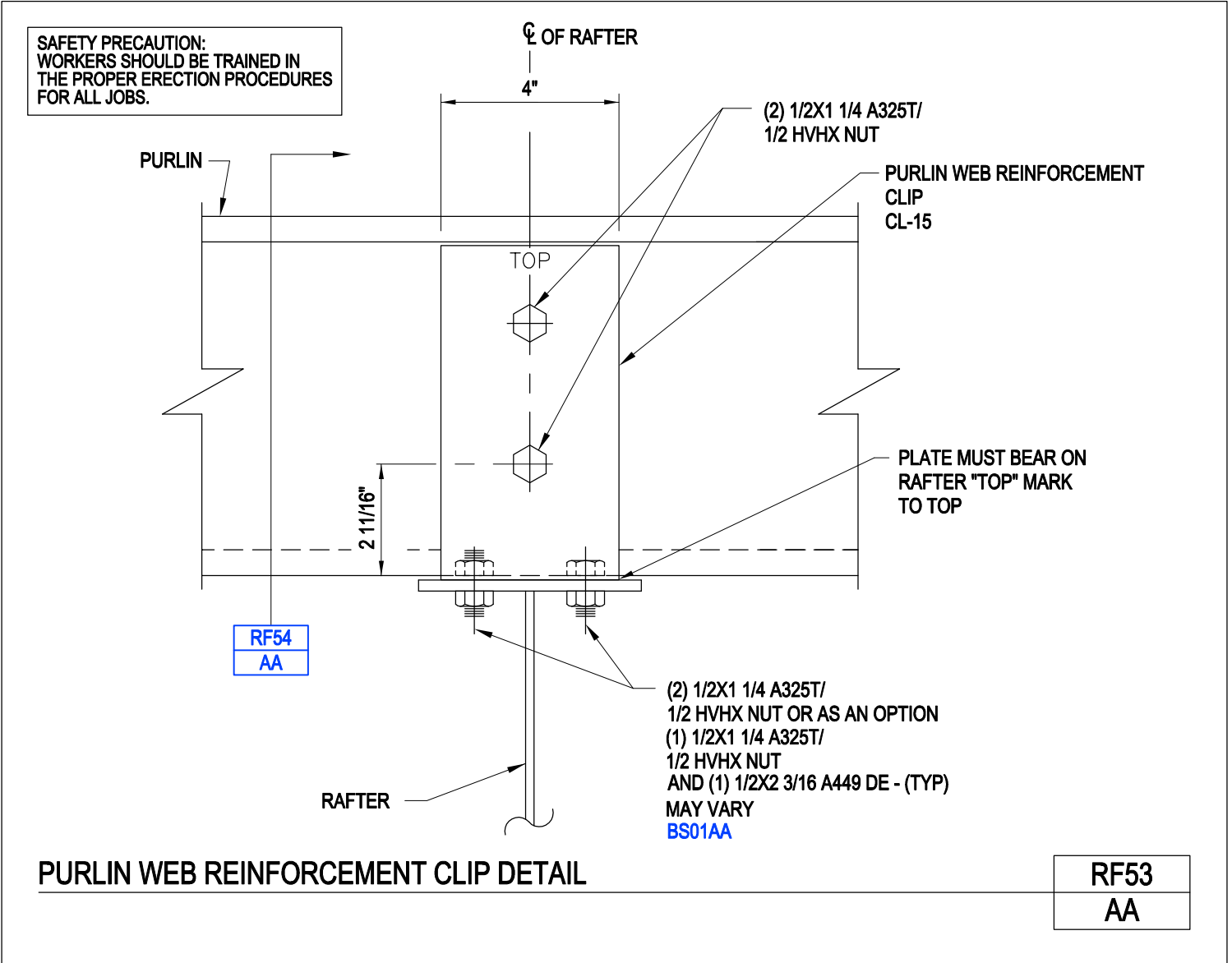


[Download the DWG file by clicking here.](#)

[To Section Index](#)

Purlin Web Reinforcement Clip Detail

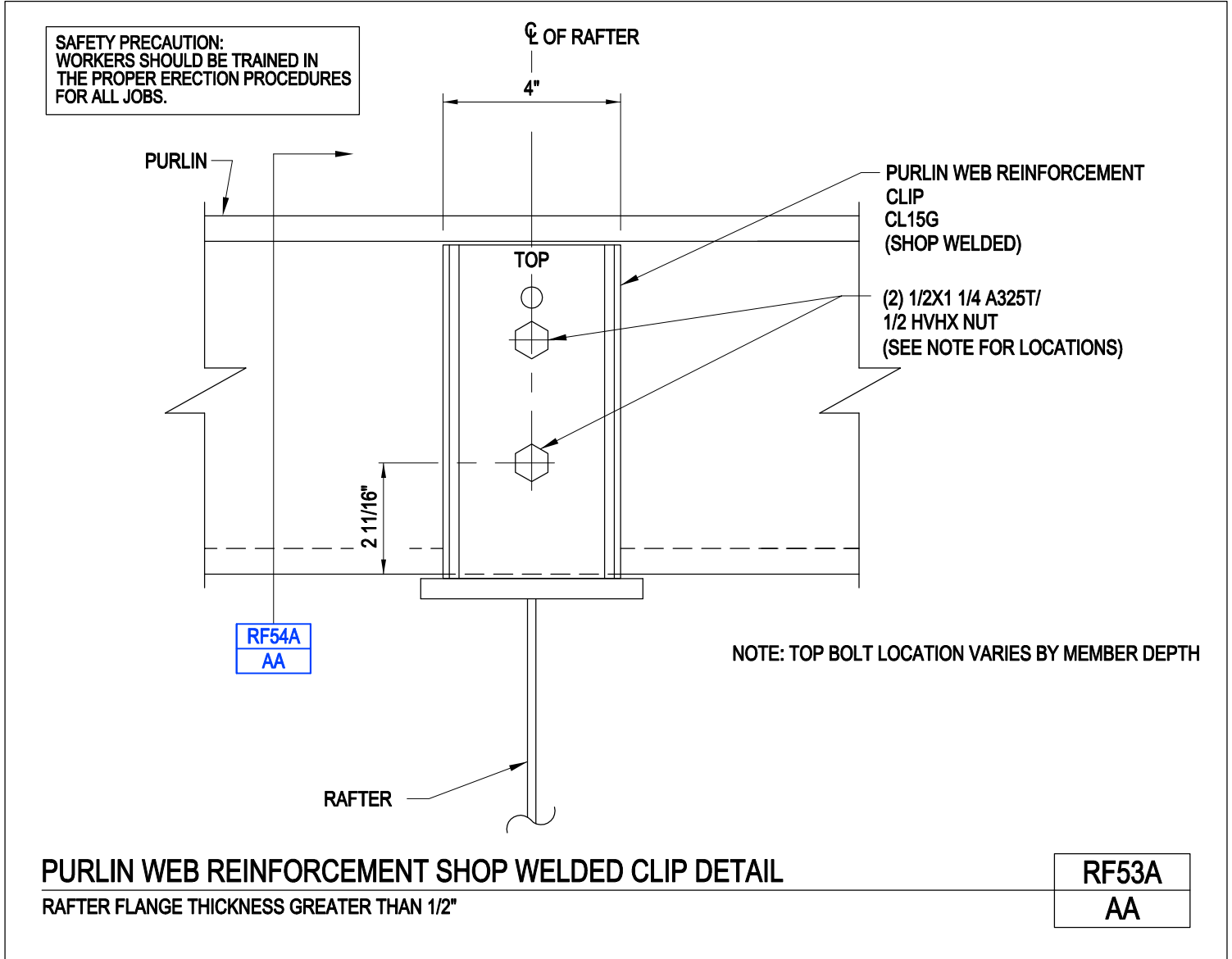
RF53/AA



[Download the DWG file by clicking here.](#)

[To Section Index](#)

Purlin Web Reinforcement Shop Welded Clip Detail
Rafter Flange Thickness Greater Than 1/2"
RF53A/AA



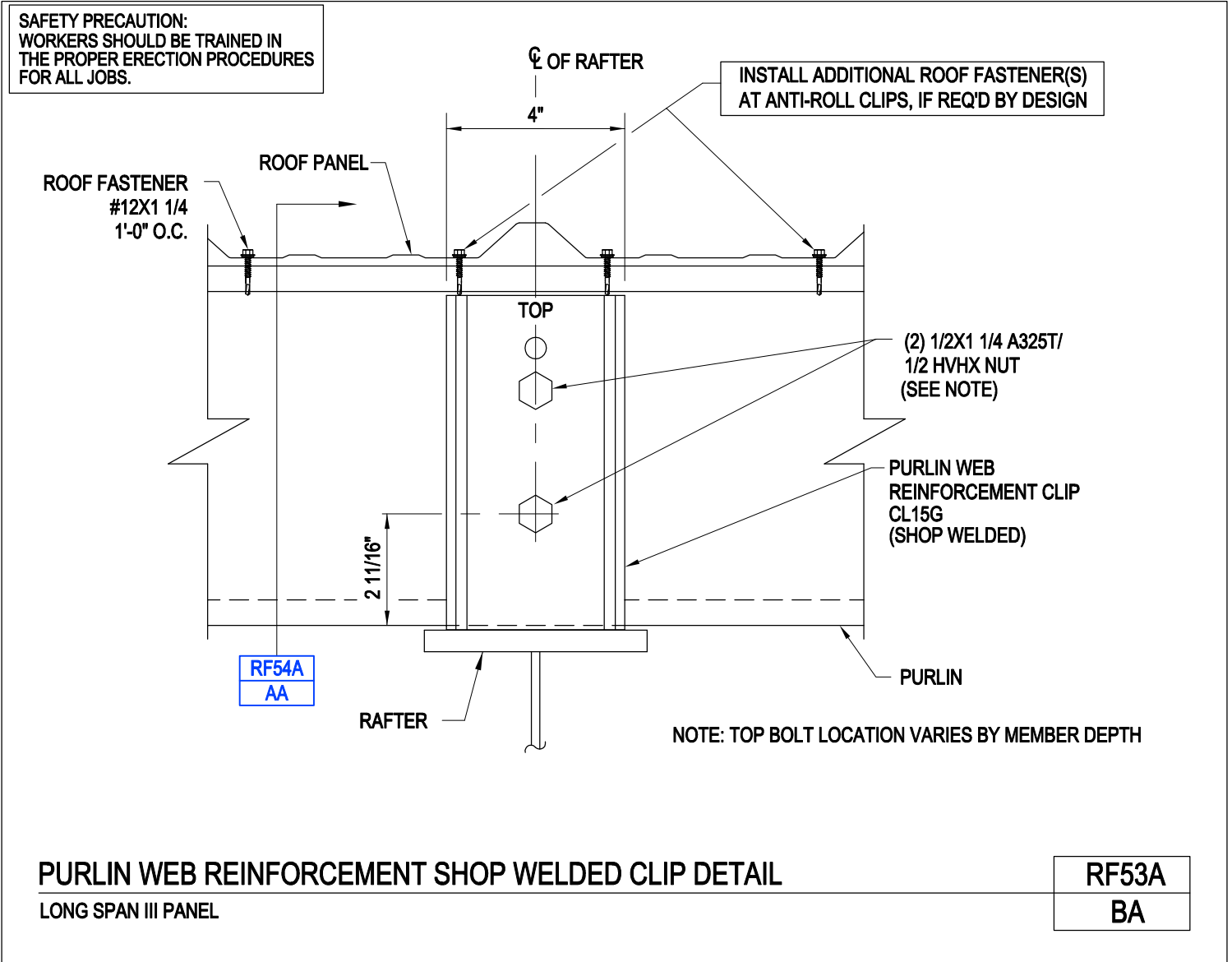
[Download the DWG file by clicking here.](#)

[To Section Index](#)

Purlin Web Reinforcement Shop Welded Clip Detail

Long Span III Panel

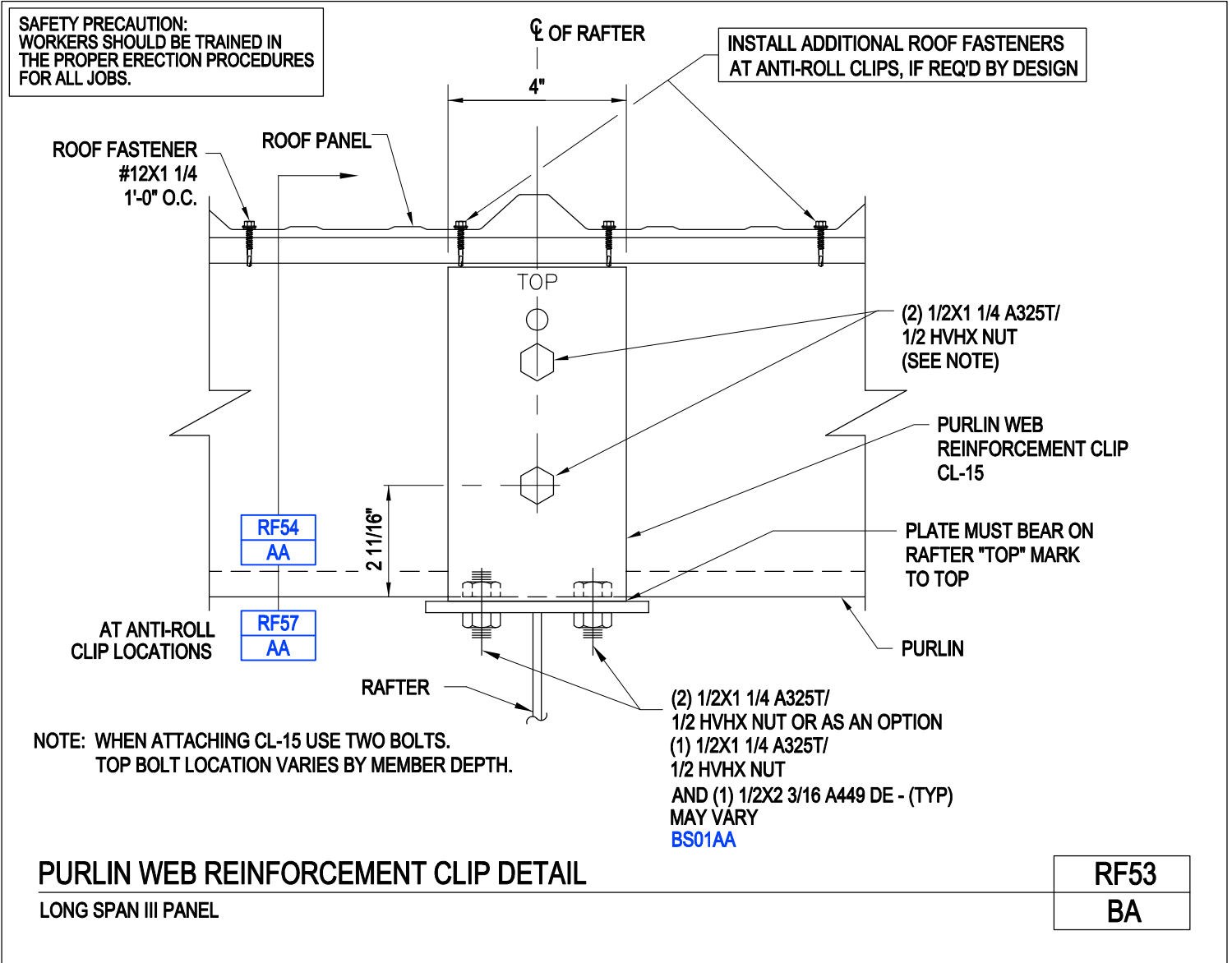
RF53A/BA



[Download the DWG file by clicking here.](#)

[To Section Index](#)

Purlin Web Reinforcement Clip Detail
 Long Span III Panel
 RF53/BA

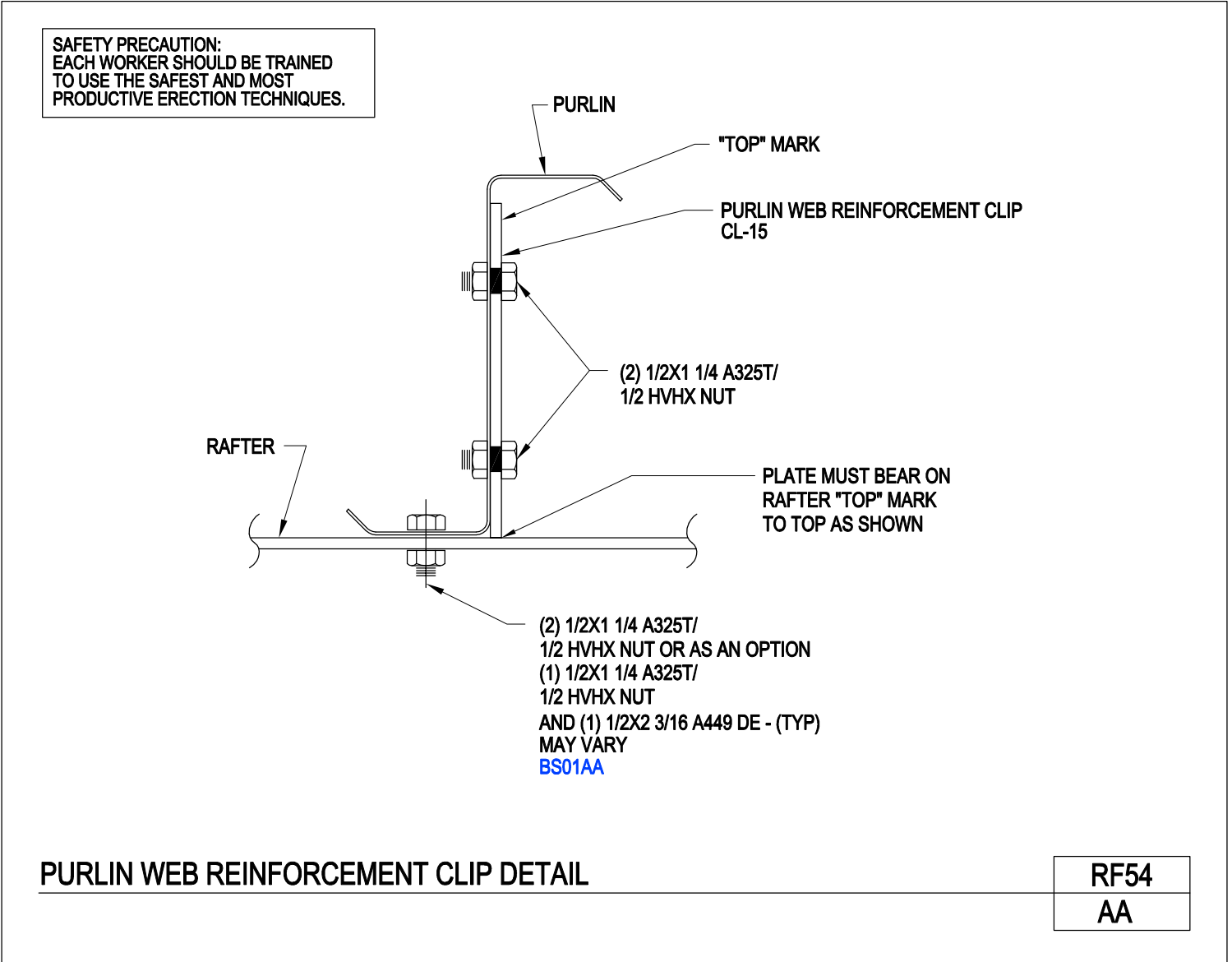


[Download the DWG file by clicking here.](#)

[To Section Index](#)

Purlin Web Reinforcement Clip Detail

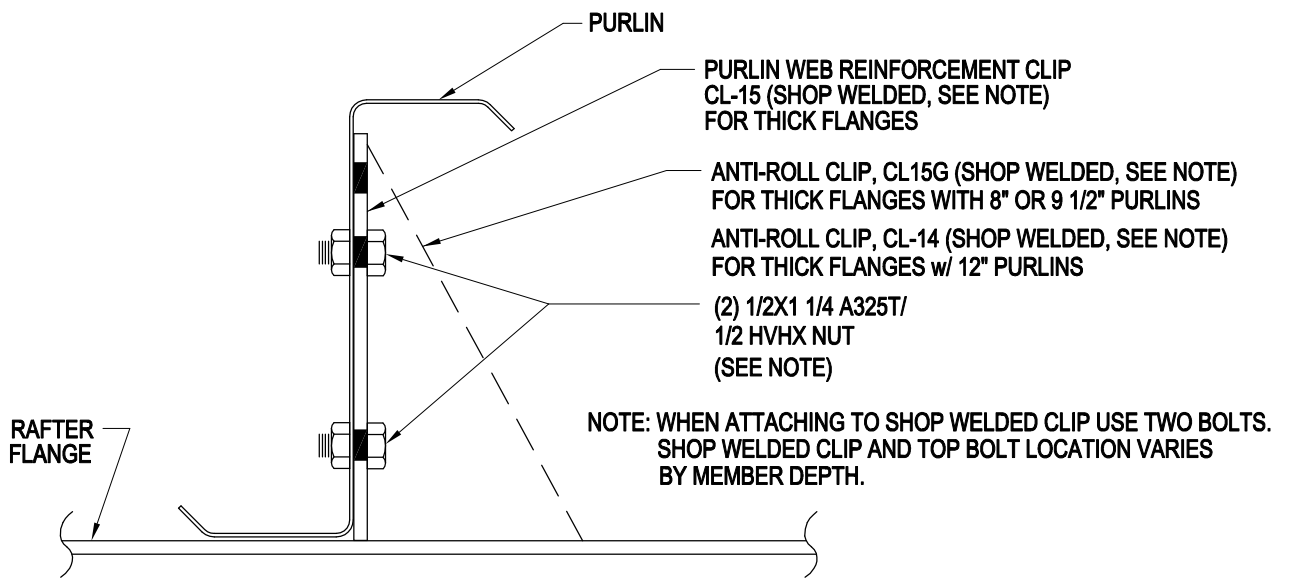
RF54/AA



[Download the DWG file by clicking here.](#)

[To Section Index](#)

Purlin to Shop Welded Clip
 Rafter Flange Thickness Greater Than 1/2"
 RF54A/AA



**SAFETY PRECAUTION:
 EACH WORKER SHOULD BE TRAINED
 TO USE THE SAFEST AND MOST
 PRODUCTIVE ERECTION TECHNIQUES.**

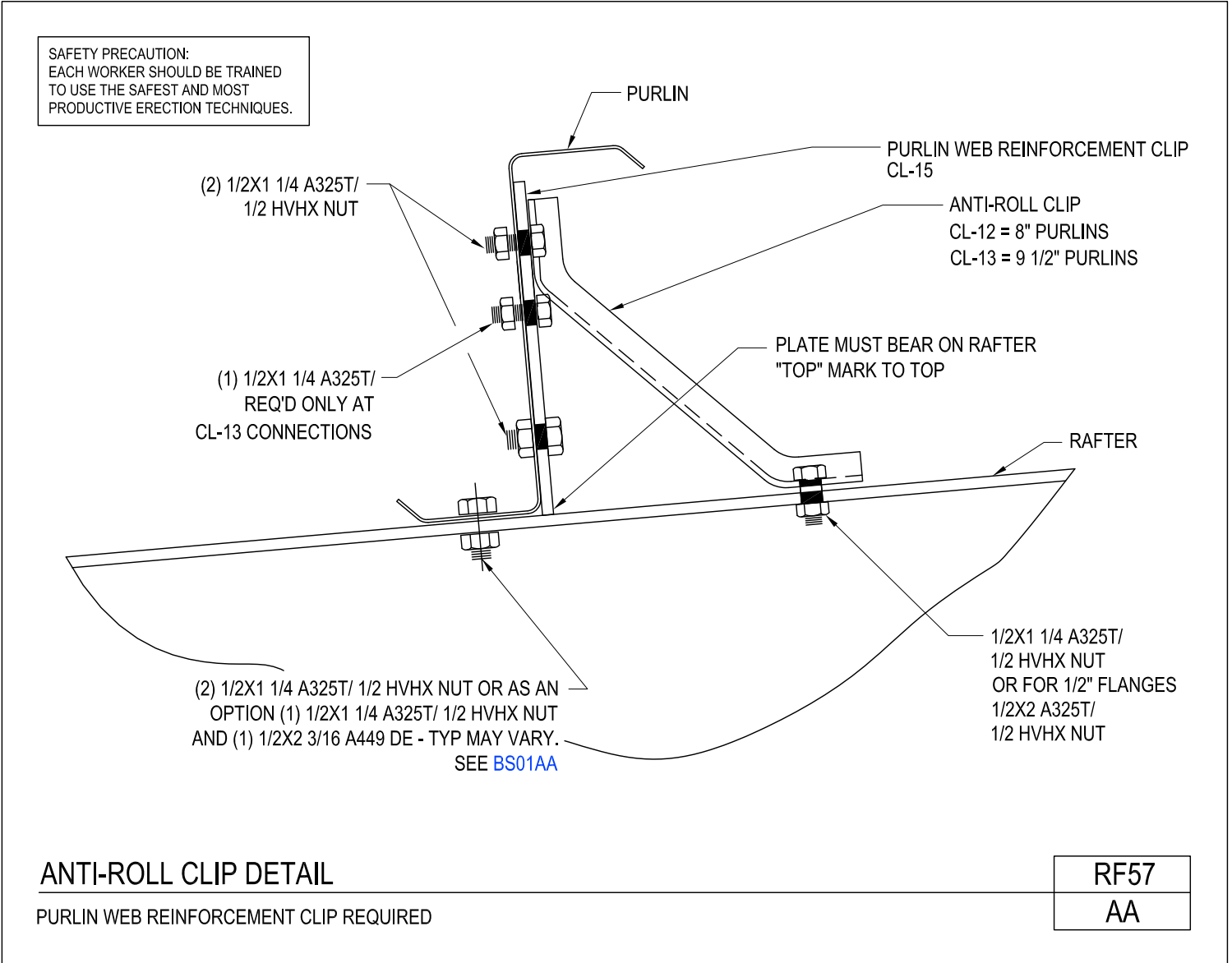
PURLIN TO SHOP WELDED CLIP
 RAFTER FLANGE THICKNESS GREATER THAN 1/2"

RF54A
AA

[Download the DWG file by clicking here.](#)

[To Section Index](#)

Anti-Roll Clip Detail
Purlin Web Reinforcement Clip Requirement
RF57/AA



[Download the DWG file by clicking here.](#)

[To Section Index](#)